

SEE SHEET 2 FOR
INDEX OF SHEETS,
GENERAL NOTES,
AND
COMMITMENTS

Project Description:

Proposed residential network buildout

Geographic Information:

State: Illinois
County: McHenry
City: Lake in the Hills

List of Permitting Authorities:

1. Village of Lake in the Hills
2. County of McHenry
3. None
4. None
5. None
6. None

i3Broadband - Engineering Department
PHONE: (309) 670-0400 ext. 400
EMAIL: engineering@i3broadband.com

Project Designer: **Noah van Laningham**
Const. Manager: **Laurie McDonald**
Market Manager: **Coty Keoprasa**



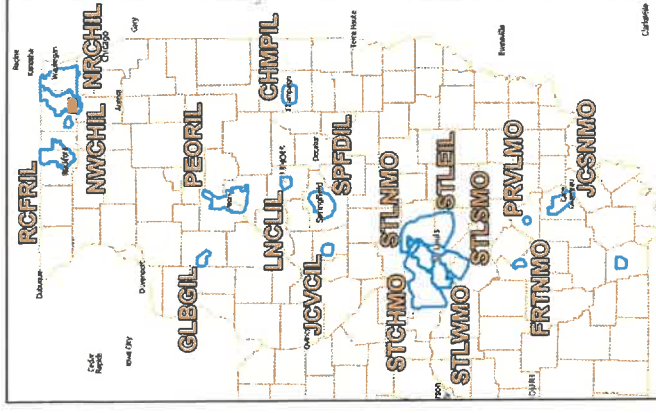
FOR LOCATING SERVICES
CALL: (800) 892-0123 (IL)
(800) 344-7483 (MO)
or 811 (US)

Printed: 11/19/2024
Time: 5:05 PM



PLANS FOR PROPOSED FIBER INSTALLATION

Market: NWCHIL
Chassis: NWCHILMXKC03
Sector: NWCHIL2046
Bore Footage: 10,260
Passings: 212



**SUBMITTED
FOR PERMITTING**

INDEX OF SHEETS

C1	Cover Sheet
N1	Index, General Notes, and Commitments Sheet
D11	Typical Vault Details Sheet
D12	Typical Vault Installation Details Sheet
L1	Symbol Reference Legend Sheet
P01	Project Overview Map
D1 - D4	Duct and Vault Installation Maps
F1 - F4	Fiber Installation Maps
1007	Highway Standards
70101-02	Off-Road Operations, 2L, 2N, More Than 15ft Away
70105-05	Off-Road Operations, 2L, 2N, 15ft To 24ft From Pavement Edge
70191-09	Traffic Control Devices

GENERAL PLAN NOTES

- These notes shall be applicable to all operations performed under this contract, except when they conflict with any SPECIAL PERMIT COMMITMENTS (SEE THIS SHEET). In such cases, the notes in that section shall supercede these notes.
- All care should be taken to mitigate damage to existing utilities. OneCall shall be contacted before any boring or excavation.
- Note that handholes drawn on the shared lot line can be adjusted to either side of the lot line as necessary, which is standard on i3Broadband prints. Handholes that are shifted to one side of a lot line need to be placed on that side of the lot line, generally to comply with an easement, or to avoid a driveway or large tree. Construction change order requests shall be coordinated with the appropriate i3 Construction Department Representative and CLEARLY DOCUMENTED ON THESE PLANS AS RED-LINED AS-BUILT DRAWINGS.
- Any damage to adjacent properties caused by construction operations within the work area shall be fully restored to their ORIGINAL CONDITION.
- Dimensions (approximate, in feet) shown generally indicate total Right-of-Way width, or Utility Easement width relative to nearest lot line. Rights-of-Way and Utility Easements are not necessarily uniform (i.e. not split evenly a cross street centerline or property line). Contact i3 as needed for clarity.
- SLACK NOTES:
 - All taps are to have 4' of slack at the head, 55' at the splice case, and no slack storage anywhere else.
 - Mainline cable to have 55' at all ends/cut points and 110' at all #3 or larger handholes where cable is uncut.
 - Any other abnormalities will be noted on prints.
- The CONTRACTOR shall be required to comply with all Federal, State, and Local laws/ordinances, in addition to all i3Broadband contract documents.

SPECIAL PERMITTING COMMITMENTS

- Facilities leaving project boundaries shown only for reference. Only facilities entirely inside of project boundaries to be considered part of the project scope unless otherwise specified.



RESERVED
FOR SHEET
NORTH ARROW
AND SCALE

PROJECT ENGINEER:

Noah van Lantingham

REVISIONS

Printed: 11/19/2024
Time: 5:01 PM

PROPOSED FIBER INSTALLATION PLANS
INDEX, GENERAL NOTES, AND COMMITMENTS
SECTOR: STLEIL0505

SHEET:

N1

SUBMITTED
FOR PERMITTING

TYPICAL VAULT (HANDHOLE) DETAILS

RESERVED
FOR SHEET
NORTH ARROW
AND SCALE

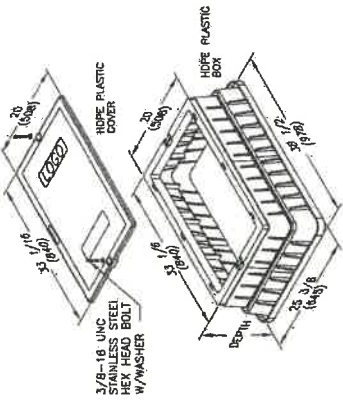
PROJECT ENGINEER:
Noah van Laningham

REVISIONS

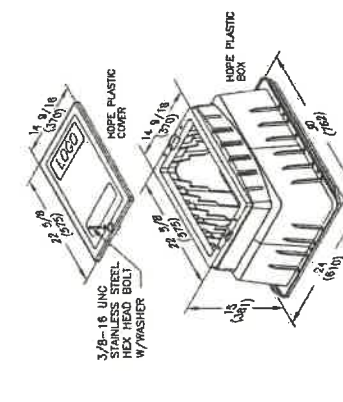
Printed: 11/19/2024
Time: 5:01 PM

SECTOR: STEIL0505
TYPICAL VAULT (HANDHOLE) DETAILS
PROPOSED FIBER INSTALLATION PLANS

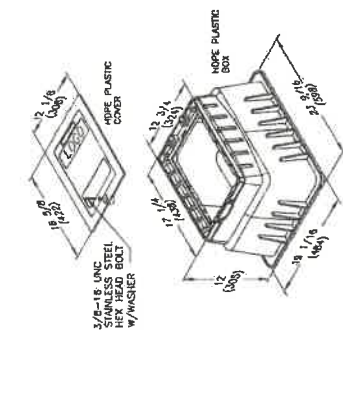
SHEET:
DT1



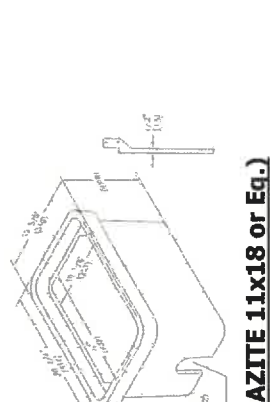
HH3 (PED RATED) (PE-30 or Eq.)



HH2 (PED RATED) (PE-20 or Eq.)



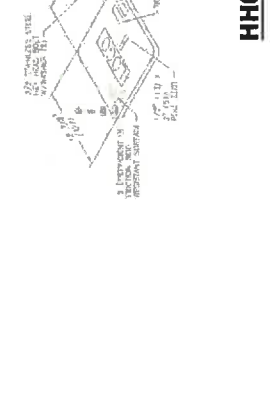
HH1 (PED RATED) (PE-14 or Eq.)



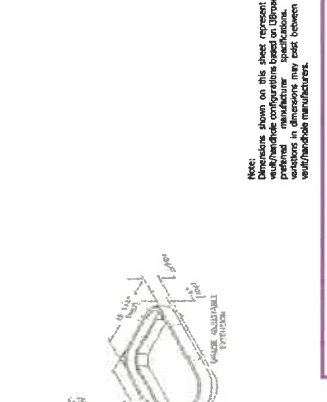
HH1 (TIER15 RATED) (QUAZITE 11x18 or Eq.)



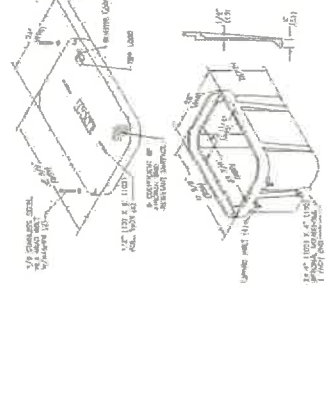
HH1 (TIER15 RATED) (QUAZITE 17x30 or Eq.)



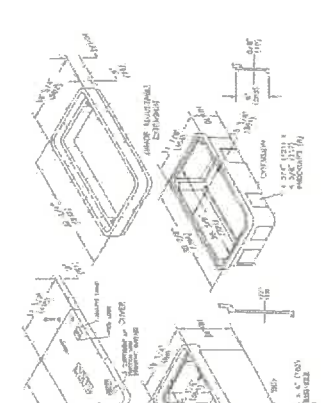
HH1 (TIER15 RATED) (QUAZITE 24x36 or Eq.)



HH0 (TIER15 RATED)



HH3 (TIER15 RATED) (QUAZITE 17x30 or Eq.)



HH6 (TIER15 RATED) (QUAZITE 24x36 or Eq.)

Note: Dimensions shown on this sheet represent typical manufacturer configurations based on Broadband preferred manufacturer specifications. Minor variations may occur between various manufacturer manufacturers.

SUBMITTED FOR PERMITTING

HH3 (TIER15 RATED) (QUAZITE 17x30 or Eq.)

SYMBOL REFERENCE LEGEND

CONSTRUCTION

- Duct/Conduit**
- Primary
 - Secondary
 - Third Order
 - Fourth Order
 - In Building
 - all other values
- Shelters**
- Shelters
- Cabinets**
- Cabinets
- Vaults/Handholes**
- Pedestrian Rated**
- Unknown Size (Pedestrian)
 - HH 0 (12x12 or eq.)
 - HH 1 (PE-14 or eq.)
 - HH 2 (PE-20 or eq.)
 - HH 3 (PE-30 or eq.)
 - HH 6 (24x30 or eq.)
- Tier 15 Rated**
- Unknown Size (Tier Rated)
 - HH 0 (12x12 or eq.)
 - HH 1 (PE-14 or eq.)
 - HH 2 (PE-20 or eq.)
 - HH 3 (PE-30 or eq.)
 - HH 12 (24x30 or eq.)
 - HH 15 (36x36 or eq.)
 - HH 16 (48x48 or eq.)
- Unknown/Other**
- Unknown Type/Size (If Omitted, See Notes)

INSTALLED

- Duct/Conduit**
- Primary
 - Secondary
 - Third Order
 - Fourth Order
 - In Building
 - all other values
- Shelters**
- Shelters
- Cabinets**
- Cabinets
- Vaults/Handholes**
- Pedestrian Rated**
- Unknown Size (Pedestrian)
 - HH 0 (12x12 or eq.)
 - HH 1 (PE-14 or eq.)
 - HH 2 (PE-20 or eq.)
 - HH 3 (PE-30 or eq.)
 - HH 6 (24x30 or eq.)
- Tier 15 Rated**
- Unknown Size (Tier Rated)
 - HH 0 (12x12 or eq.)
 - HH 1 (PE-14 or eq.)
 - HH 2 (PE-20 or eq.)
 - HH 3 (PE-30 or eq.)
 - HH 12 (24x30 or eq.)
 - HH 15 (36x36 or eq.)
 - HH 16 (48x48 or eq.)
- Unknown/Other**
- Unknown Type/Size (If Omitted, See Notes)

MISC.

- Utility Easement**
- Utility Easement
- Partials**
- Duct and Vault Installation Note
 - Fiber Installation Note
- Sector Boundaries**
- Cover & Vault Installation Note
 - Issue Map (IM)
- Project Sector**
- Project Sector
 - Non Project Sectors
- Drop Arrows**
- Drop Arrows (Mobile)
- Index Sheet Borders**
- Project Sheet Boundaries

CONSTRUCTION

Duct/Conduit

- Primary
- Secondary
- Third Order
- Fourth Order
- In Building
- all other values

Shelters

- Shelters

Cabinets

- Cabinets

Vaults/Handholes

Pedestrian Rated

- Unknown Size (Pedestrian)
- HH 0 (12x12 or eq.)
- HH 1 (PE-14 or eq.)
- HH 2 (PE-20 or eq.)
- HH 3 (PE-30 or eq.)
- HH 6 (24x30 or eq.)

Tier 15 Rated

- Unknown Size (Tier Rated)
- HH 0 (12x12 or eq.)
- HH 1 (PE-14 or eq.)
- HH 2 (PE-20 or eq.)
- HH 3 (PE-30 or eq.)
- HH 12 (24x30 or eq.)
- HH 15 (36x36 or eq.)
- HH 16 (48x48 or eq.)

Unknown/Other

- Unknown Type/Size (If Omitted, See Notes)

Building Terminations (OFDCs)

- Building Terminations (OFDC)

Cable Terminations

- Cable Terminations

Duct Terminations

- Buried Endcap
- Stubbed Above Ground (Bsp. Termination)
- Wall Box
- Other/Unknown

Duct Field Repairs

- Duct Field Repairs

INSTALLED

- Splice Cases**
- Type A
 - Surfmount 3000
 - 3M
 - Type B
 - Type B (No Grounding)
 - Type C
 - Covers
 - Type D
 - Type D (No Grounding)
 - Cover (Field Repair)
- Internal Tabs**
- 2 Pairs
 - 4 Pairs
 - 6 Pairs
 - 8 Pairs
 - 12 Pairs
- Splitters**
- Split
 - Zone
 - Unknown
- Additional Cable Slack**
- Additional Cable Slack
- Tags**
- 2 Pairs
 - 4 Pairs
 - 6 Pairs
 - 8 Pairs
 - 12 Pairs
- Mainline Cables**
- 1F
 - 4F
 - 6F
 - 12F
 - 24F
 - 48F
 - 72F
 - 96F
 - 144F
 - 216F
 - 288F
 - 432

CONSTRUCTION

- Duct/Conduit**
- Primary
 - Secondary
 - Third Order
 - Fourth Order
 - In Building
 - all other values
- Shelters**
- Shelters
- Cabinets**
- Cabinets
- Vaults/Handholes**
- Pedestrian Rated**
- Unknown Size (Pedestrian)
 - HH 0 (12x12 or eq.)
 - HH 1 (PE-14 or eq.)
 - HH 2 (PE-20 or eq.)
 - HH 3 (PE-30 or eq.)
 - HH 6 (24x30 or eq.)
- Tier 15 Rated**
- Unknown Size (Tier Rated)
 - HH 0 (12x12 or eq.)
 - HH 1 (PE-14 or eq.)
 - HH 2 (PE-20 or eq.)
 - HH 3 (PE-30 or eq.)
 - HH 12 (24x30 or eq.)
 - HH 15 (36x36 or eq.)
 - HH 16 (48x48 or eq.)
- Unknown/Other**
- Unknown Type/Size (If Omitted, See Notes)

CONSTRUCTION

Duct/Conduit

- Primary
- Secondary
- Third Order
- Fourth Order
- In Building
- all other values

Shelters

- Shelters

Cabinets

- Cabinets

Vaults/Handholes

Pedestrian Rated

- Unknown Size (Pedestrian)
- HH 0 (12x12 or eq.)
- HH 1 (PE-14 or eq.)
- HH 2 (PE-20 or eq.)
- HH 3 (PE-30 or eq.)
- HH 6 (24x30 or eq.)

Tier 15 Rated

- Unknown Size (Tier Rated)
- HH 0 (12x12 or eq.)
- HH 1 (PE-14 or eq.)
- HH 2 (PE-20 or eq.)
- HH 3 (PE-30 or eq.)
- HH 12 (24x30 or eq.)
- HH 15 (36x36 or eq.)
- HH 16 (48x48 or eq.)

Unknown/Other

- Unknown Type/Size (If Omitted, See Notes)

Building Terminations (OFDCs)

- Building Terminations (OFDC)

Cable Terminations

- Cable Terminations

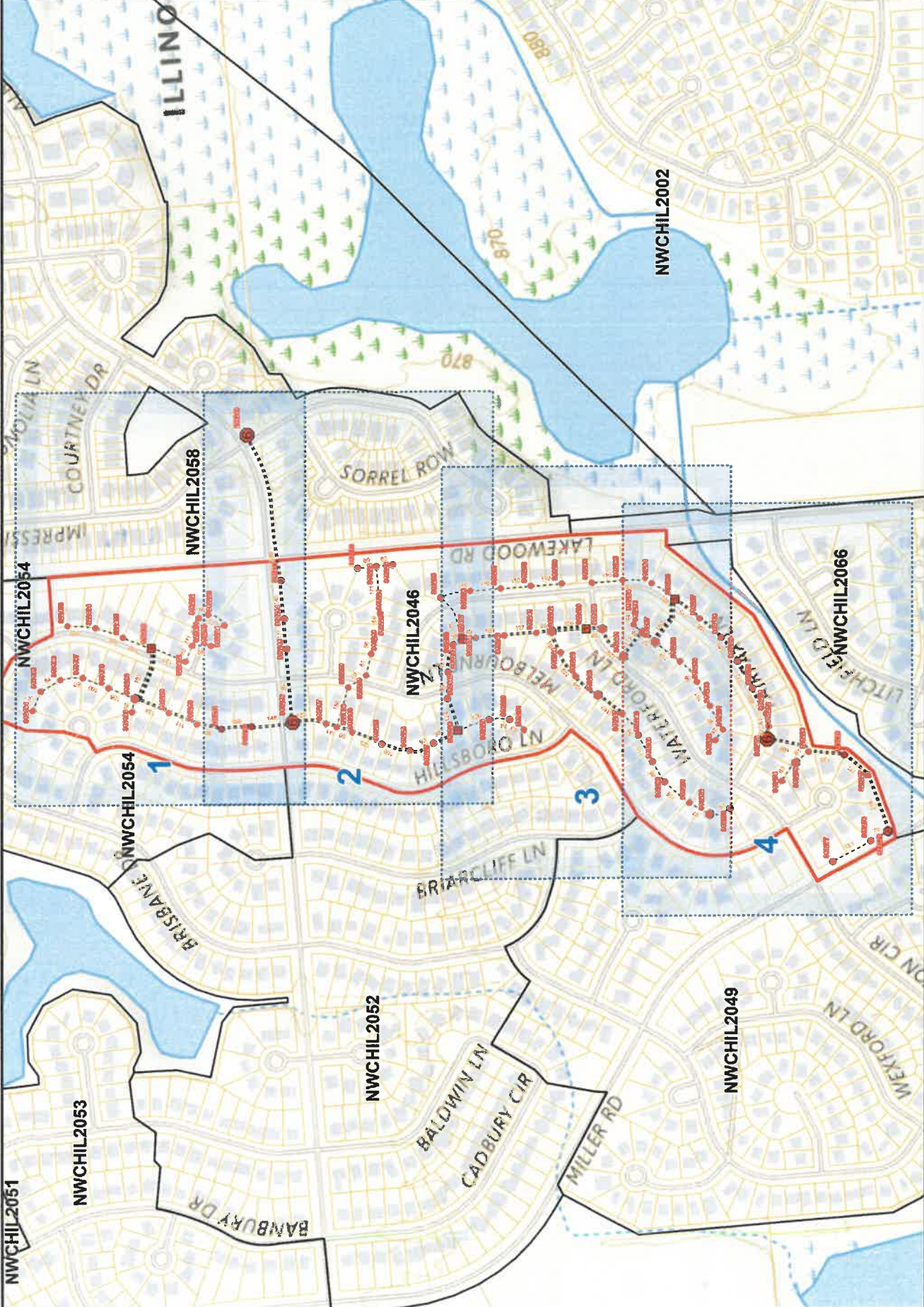
Duct Terminations

- Buried Endcap
- Stubbed Above Ground (Bsp. Termination)
- Wall Box
- Other/Unknown

Duct Field Repairs

- Duct Field Repairs

SUBMITTED FOR PERMITTING



Facilities leaving project boundaries shown only for reference. Only facilities entirely inside of project boundaries to be considered part of the project scope unless otherwise specified.



B3 Broadband
 603 High Point Lane
 East Point, Illinois
 (314) 670-9400 ext. 400
 bbroadband.com

SCALE: 1 INCH = 50 FEET
 PCS USA Contemporary Equipment Config
SHEET NOTES:
 1. See Sheet 017 for typical road crossing and core in details.
 2. Method of conduit installation shall be OTHERWISE NOTED ON THE PLANS OR SPECIAL PERMITTING COMMITMENTS (See Sheet 011).
 3. Additional routing locations (other than shown) shall be for the same general route as the Primary Duct.

PROJECT ENGINEER:
 Noah van Lauringharn

REVISIONS

PROPOSED FIBER INSTALLATION PLANS
FIBER INSTALLATION PLAN MAPS
 Printed: 11/19/2024 4:49 PM
 Time: 4:49 PM
 SECTOR: NWCHIL2046

SHEET: **D1**

Facilities leaving project boundaries shown only for reference. Only facilities entirely inside of project boundaries to be considered part of the project scope unless otherwise specified.



Broadband
 602 High Point Lane
 East Peoria, Illinois
 (309) 670-0400 ext. 400
 Broadband.com

Scale: 1" = 50 FEET
 0 25 50 75 100 Feet
 N
 ILLUSTRATION EQUIPMENT CODE
 SHEET NOTES:
 1. Item Shown NOT for typical road crossing and flow of traffic.
 2. Method of conduit installation shall be determined by the contractor. ALL WORK SHALL BE PERFORMED IN ACCORDANCE WITH ALL LOCAL, STATE AND FEDERAL REGULATIONS AND ALL APPLICABLE SPECIAL PERMITTING COMMITMENTS (See Sheet P1).
 3. Additional conduit locations (other than shown) may be required to serve the area. All conduit shall be installed in accordance with the specifications shown on the Primary Duct.
 PROJECT ENGINEER:
 Noah van Laningham

REVISIONS

Printed: 11/19/2024
 Time: 4:49 PM

SECTOR: NWCHILL2046
FIBER INSTALLATION PLAN MAPS
PROPOSED FIBER INSTALLATION PLANS

SHEET:
D2

Facilities leaving project boundaries shown only for reference. Only facilities entirely inside of project boundaries to be considered part of the project scope unless otherwise specified.



B3 Broadband
602 High Point Lane
Cary, NC 27513
(919) 570-0400
@broadband.com

SHEET NOTES:
1. See sheet 072 for typical road crossing and manhole details.
2. Method of conduit installation shall be determined by the contractor and shall be approved by the utility owner. SPECIAL PERMITTING COMMITMENTS (see sheet 071).
3. Additional manhole locations (other than those shown) shall be determined by the contractor and shall be approved by the utility owner. General notes with the primary duct.

PROJECT ENGINEER:
Noah van Lieringham

REVISIONS

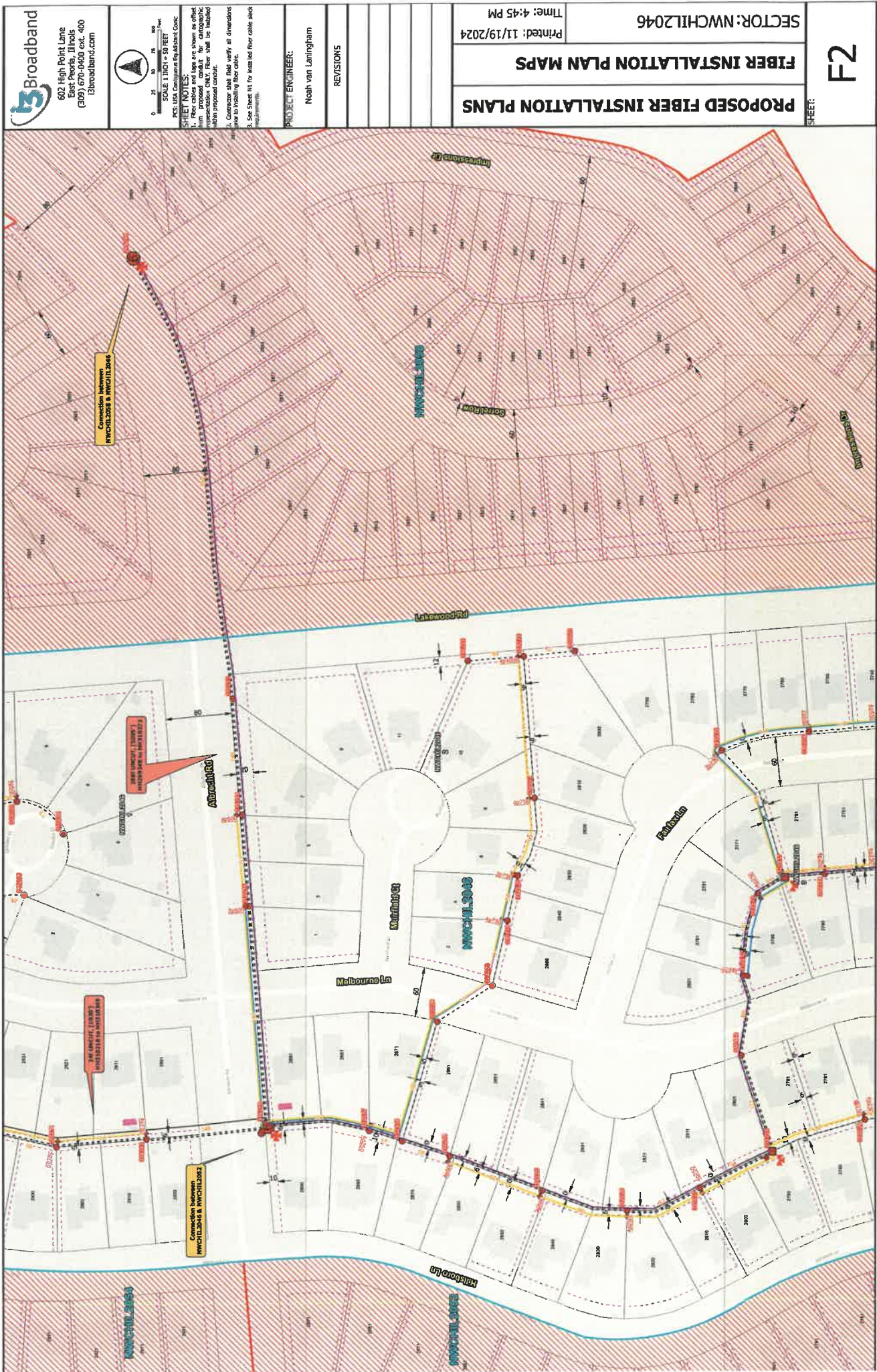
NO.	DATE	DESCRIPTION

PROPOSED FIBER INSTALLATION PLANS
FIBER INSTALLATION PLAN MAPS
Printed: 11/19/2024
Time: 4:50 PM

SECTOR: NWCHIL2046

SHEET:
D3

Facilities leaving project boundaries shown only for reference. Only facilities entirely inside of project boundaries to be considered part of the project scope unless otherwise specified.



F2

SHEET:

Facilities leaving project boundaries shown only for reference. Only facilities entirely inside of project boundaries to be considered part of the project scope unless otherwise specified.

