

SEE SHEET 2 FOR
INDEX OF SHEETS,
GENERAL NOTES,
AND
COMMITMENTS

Project Description:

Proposed residential network buildout

Geographic Information:

State: Illinois
County: McHenry
City: Lake in the Hills

List of Permitting Authorities:

1. City of Lake In The Hills
2. None
3. None
4. None
5. None
6. None

i3Broadband - Engineering Department
PHONE: (309) 670-0400 ext. 400
EMAIL: engineering@i3broadband.com

Project Designer: **Troy Mosiman**
Const. Manager: **Laurie MacDonald**
Market Manager: **Coty Keosprasa**



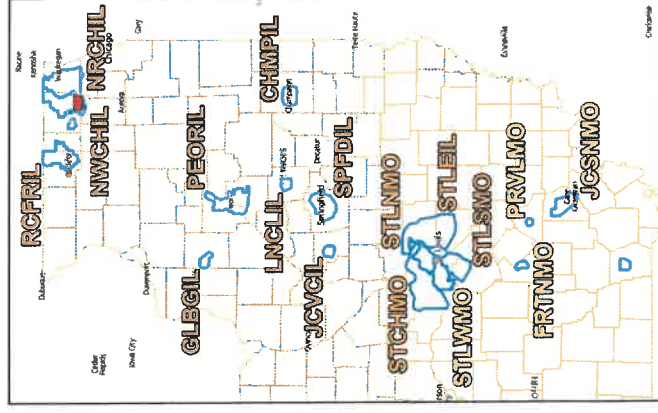
FOR LOCATING SERVICES
CALL: (800) 892-0123 (IL)
(800) 344-7483 (MO)
or 811 (US)

Printed: 12/4/2024
Time: 2:50 PM



PLANS FOR PROPOSED FIBER INSTALLATION

Market: NWCHIL
Chassis: NWCHILMXKC06
Sector: NWCHIL2101
Bore Footage: 23556
Passings: 373



**SUBMITTED
FOR PERMITTING**

SPECIAL PERMITTING COMMITMENTS

INDEX OF SHEETS

- CI Cover Sheet
- NI Index, General Notes, and Commitments Sheet
- DT1 Typical Vault Details Sheet
- DT2 Typical Vault Installation Details Sheet
- LI Symbol Reference Legend Sheet
- PO1 Project Overview Map
- DI - D6 Duct and Vault Installation Maps
- PI - P6 Pipe Installation Maps

GENERAL PLAN NOTES

1. These notes shall be applicable to all operations performed under this contract, except when they conflict with any SPECIAL PERMIT COMMITMENTS (SEE THIS SHEET). In such cases, the notes in that section shall supercede these notes.
2. All care should be taken to mitigate damage to existing utilities. OneCall shall be contacted before any boring or excavation.
3. Note that handholes drawn on the shared lot line can be adjusted to either side of the lot line as necessary, which is standard on i3Broadband prints. Handholes that are shifted to one side of a lot line need to be placed on that side of the lot line, generally to comply with an easement, or to avoid a driveway or large tree.
4. Construction change order requests shall be coordinated with the appropriate i3 Construction Department Representative and CLEARLY DOCUMENTED ON THESE PLANS AS RED-LINED AS-BUILT DRAWINGS.
5. Any damage to adjacent properties caused by construction operations within the work area shall be fully restored to their ORIGINAL CONDITION.
6. Dimensions (approximate, in feet) shown generally indicate total Right-of-Way width, or Utility Easement width relative to nearest lot line. Rights-of-Way and Utility Easements are not necessarily uniform (i.e. not split evenly a cross street centerline or property line). Contact i3 as needed for clarity.
7. SLACK NOTES:
 - All taps are to have 4' of slack at the head, 55' at the splice case, and no slack storage anywhere else.
 - Mainline cable to have 55' at all ends/cut points and 110' at all #3 or larger handholes where cable is uncut.
8. -Any other abnormalities will be noted on prints.
-The CONTRACTOR shall be required to comply with all Federal, State, and Local laws/ordinances, in addition to all i3Broadband contract documents.

**SUBMITTED
FOR PERMITTING**



RESERVED
FOR SHEET
NORTH ARROW
AND SCALE

PROJECT ENGINEER:

Troy Mosiman

REVISIONS

No.	Description
1	24
2	24
3	24
4	24
5	24

PROPOSED FIBER INSTALLATION PLANS

INDEX, GENERAL NOTES, AND COMMITMENTS

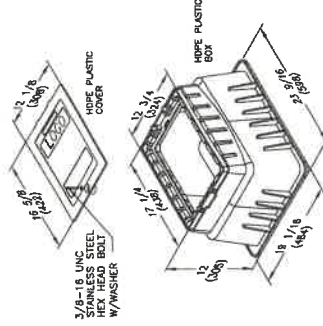
SECTOR: NWCHELL2101

Printed: 12/4/2024
Time: 3:43 PM

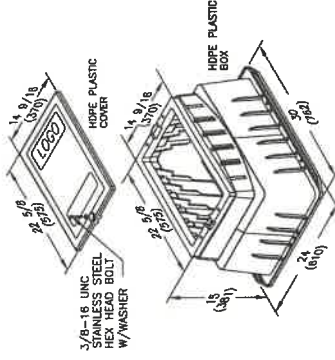
SHEET:

N1

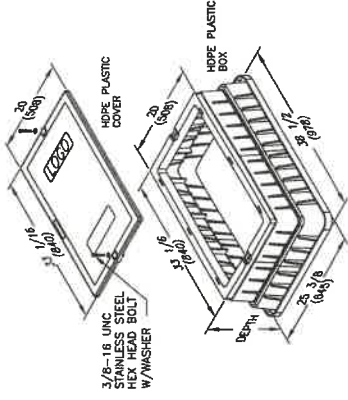
TYPICAL VAULT (HANDHOLE) DETAILS



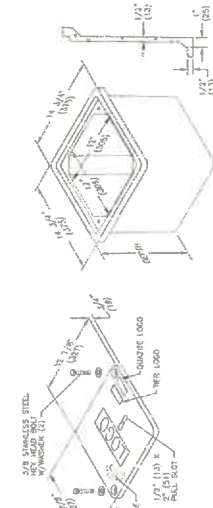
HH1 (PED RATED) (PE-14 or Eq.)



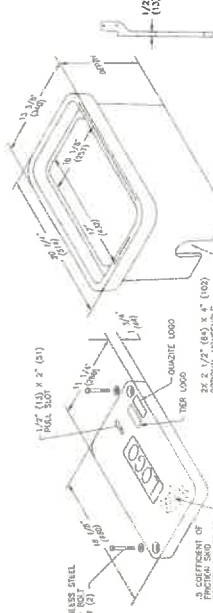
HH2 (PED RATED) (PE-20 or Eq.)



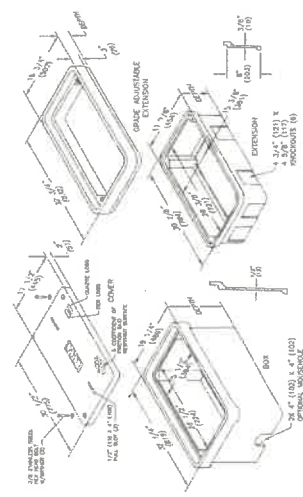
HH3 (PED RATED) (PE-30 or Eq.)



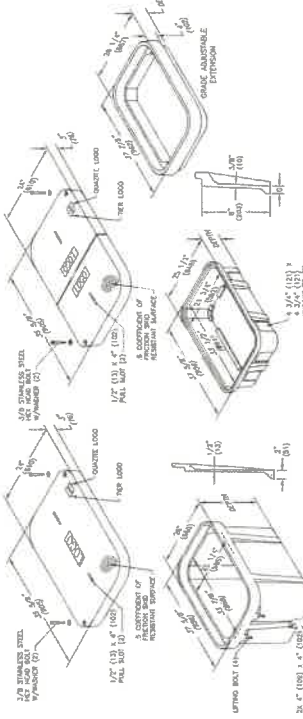
HH0 (TIER15 RATED)



HH1 (TIER15 RATED) (QUAZITE 11x18 or Eq.)



HH3 (TIER15 RATED) (QUAZITE 17x30 or Eq.)



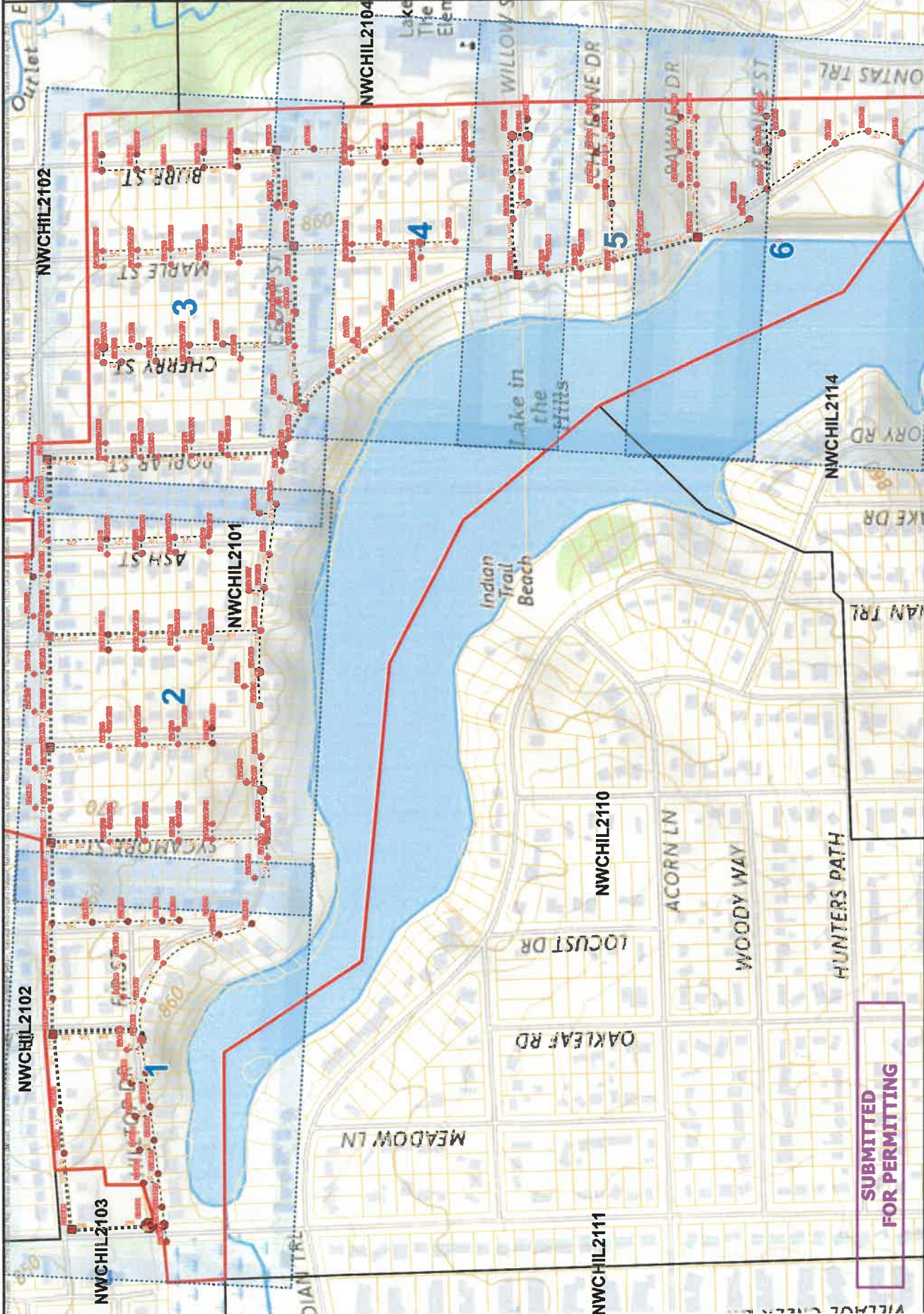
HH6 (TIER15 RATED) (QUAZITE 24x36 or Eq.)

Note: All drawings shown on this sheet represent typical vault/handhole configurations based on CDM-Mohr's preferred manufacturer specifications. Minor variations may occur between various manufacturer manufacturers.

SUBMITTED FOR PERMITTING

PROJECT ENGINEER:
Troy Mosiman

REVISIONS
/ / 24 No. _____
/ / 24 No. _____
/ / 24 No. _____
/ / 24 No. _____
/ / 24 No. _____



SUBMITTED FOR PERMITTING

USER PATH: C:\Users\TroyMosiman\Desktop\Sector in working on\Sector in working on\NWCHIL2101\MTL_Temp\kbroadband.com

Facilities leaving project boundaries shown only for reference. Only facilities entirely inside of project boundaries to be considered part of the project scope unless otherwise specified.



13 Broadband
 602 High Point Lane
 East Peoria, Illinois
 (309) 670-0400 ext. 400
 13broadband.com



SHEET NOTES:
 1. See Sheet DW2 for typical road crossing notes in detail.
 2. Method of conduit installation shall be determined by the contractor. THE CONTRACTOR SHALL BE RESPONSIBLE FOR OBTAINING ALL NECESSARY PERMITS AND SPECIAL PERMITTING COMMITMENTS (See Sheet N).

PROJECT ENGINEER:
 Troy Nozeman

REVISIONS	
/ 24 No.	
/ 24 No.	
/ 24 No.	
/ 24 No.	
/ 24 No.	

PROPOSED FIBER INSTALLATION PLANS
FIBER INSTALLATION PLAN MAPS
 Printed: 12/4/2024
 Time: 2:59 PM

SECTOR: NWCHILL2101

SHEET: **D1**

Facilities leaving project boundaries shown only for reference. Only facilities entirely inside of project scope unless otherwise specified.



IS Broadband
 603 High Point Lane
 East Peoria, Illinois
 (309) 670-0400 ext. 400
 ibroadband.com



PCS: USA, Contiguous United States
SHEET NOTES:
 1. See Sheet D12 for typical road crossing and care at details.
 2. Method of conduit installation shall be as shown on the plans or as otherwise noted on the plans or sheets.
 3. SPECIAL PERMITTING COMMITMENTS (See sheet N).
 4. Additional conduit locations (other than those shown) shall be shown on the plans. Only. Additional ducts shall follow the same general here-with as the primary duct.

PROJECT ENGINEER:
 Troy Mosiman

REVISIONS	
/	24 No.
/	24 No.
/	24 No.
/	24 No.
/	24 No.

Printed: 12/4/2024
 Time: 3:00 PM

PROPOSED FIBER INSTALLATION PLANS
FIBER INSTALLATION PLAN MAPS
 SECTOR: NWCHILL101

SHEET:
D2

SUBMITTED FOR PERMITTING

\\PC01\Users\TroyMosiman\Projects\Sectors In working on\NWCHILL101_Temp\08a.apr

Facilities leaving project boundaries shown only for reference. Only facilities entirely inside of project boundaries to be considered part of the project scope unless otherwise specified.



B3 Broadband
 602 High Point Lane
 East Peoria, Illinois
 (309) 690-6000 ext. 400
 info@broadband.com

0 25 50 75 100 Feet
 SCALE: 1 INCH = 50 FEET
 PCS: USA Continuous Equidistant Contour

SHEET NOTES:
 1. See Sheet D12 for typical road crossing details per detail.
 2. Method of conduit installation shall be determined by the contractor. THE CONTRACTOR SHALL BE RESPONSIBLE FOR OBTAINING ALL NECESSARY SPECIAL PERMITTING COMMITMENTS (SEE SHEET N1).
 3. Additional conduit locations (other than those shown) shall be determined by the contractor. Additional ducts shall follow the same general bore-path as the Primary Duct.

PROJECT ENGINEER:
 Troy Mosiman

REVISIONS	DATE	NO.

PROPOSED FIBER INSTALLATION PLANS
FIBER INSTALLATION PLAN MAPS
 Printed: 12/4/2024
 Time: 3:01 PM

SECTOR: NWCHIL2101

SHEET: **D3**

Facilities leaving project boundaries shown only for reference. Only facilities entirely inside of project boundaries to be considered part of the project scope unless otherwise specified.



13 Broadband
 601 High Point Lane
 East Troy, WI 53120
 (309) 670-9400 ext. 400
 Ebroadband.com



POS: USA Contiguous Equidistant Conic
 SCALE: 1 INCH = 50 FEET
SHEET NOTES:
 1. See sheet 012 for typical road crossing and form in detail.
 2. Method of conduit installation shall be determined by the contractor. REFER TO THE SPECIAL PERMITTING COMPMENTS (See Sheet N).
 3. Address all callouts (other than 101). Additional notes shall follow the same general format as the Primary Out.

PROJECT ENGINEER:
 Troy Noshman

REVISIONS	
/	7/24 No.
/	7/24 No.
/	7/24 No.
/	7/24 No.

PROPOSED FIBER INSTALLATION PLANS
FIBER INSTALLATION PLAN MAPS

Printed: 12/4/2024
 Time: 3:01 PM

SECTOR: NWCHILL2101

SHEET:
D4

SUBMITTED FOR PERMITTING

APP PATH: C:\Users\TroyNoshman\Desktop\Factors In working on\Sector In working on\NWCHILL2101\Temp\map.aprx

Facilities leaving project boundaries shown only for reference. Only facilities entirely inside of project boundaries to be considered part of the project scope unless otherwise specified.



13 Broadband
 602 High Point Lane
 East Peoria, Illinois
 (309) 699-6600 ext. 400
 ibroadband.com

SCALE: 1 INCH = 50 FEET
 PLS. USE Corrected Easement Code
SHEET NOTES:
 1. See Sheet 1072 for typical road crossing and storm pit details.
 2. Method of conduit installation shall be either Directional Bore or Micro Pile, UNLESS OTHERWISE NOTED.
 3. SPECIAL PERMITTING COMMITMENTS (See Sheet N1).
 4. Additional conduit locations (other than those shown) shall be the responsibility of the General Contractor as the Primary Duct.

PROJECT ENGINEER:
 Troy Mosman

REVISIONS	
/ 24 No.	
/ 24 No.	
/ 24 No.	
/ 24 No.	
/ 24 No.	

Printed: 12/4/2024
 Time: 3:02 PM

PROPOSED FIBER INSTALLATION PLANS
FIBER INSTALLATION PLAN MAPS
 SECTOR: NWCHIL2101

SHEET: **D5**

Facilities leaving project boundaries shown only for reference. Only facilities entirely inside of project boundaries to be considered part of the project scope unless otherwise specified.

13 Broadband
 602 High Point Lane
 5th Floor
 (319) 670-0400 ext. 400
 lbroadband.com

SCALE: 1 INCH = 50 FEET
 PCS: USA Consensus Equipment Code
SHEET NOTES:
 1. Fiber cables and trays are shown as other facilities. Fiber cables are shown as other facilities. Fiber cables are shown as other facilities.
 2. Connector shall field verify all dimensions prior to installing fiber cable.
 3. See Sheet H1 for installed fiber cable and requirements.

PROJECT ENGINEER:
Troy Mosiman

REVISIONS

/	/ 24	/ No.
/	/ 24	/ No.
/	/ 24	/ No.
/	/ 24	/ No.

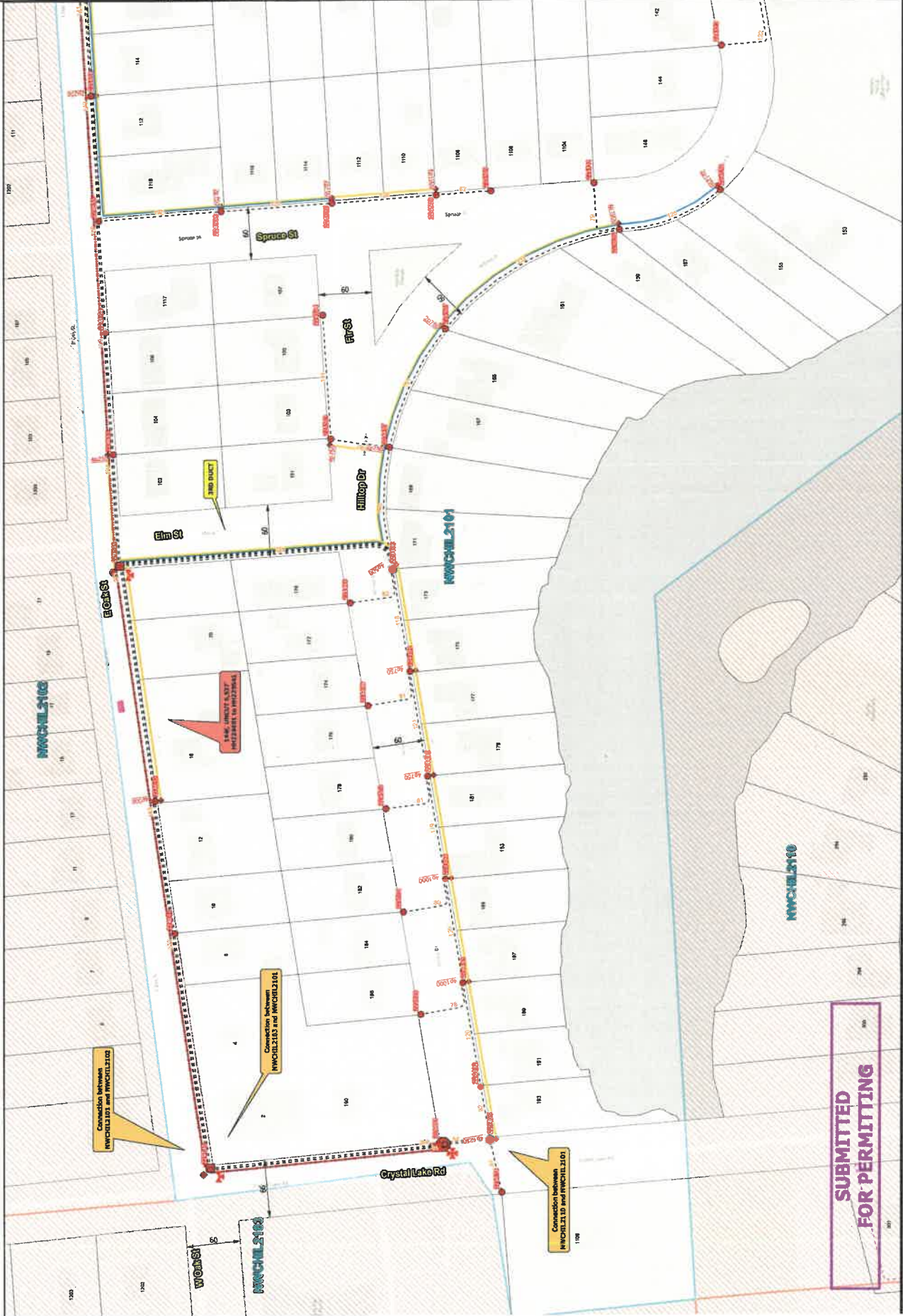
PROPOSED FIBER INSTALLATION PLANS

FIBER INSTALLATION PLAN MAPS

Printed: 12/4/2024
 Time: 2:52 PM

SECTOR: NWCHIL2101

F1
 SHEET:



SUBMITTED FOR PERMITTING

\\net-pw101.csi.com\Users\TroyMosiman\Projects\Sector3\In working on\NWCHIL2101\DWG_Terrace.dwg

Facilities leaving project boundaries shown only for reference. Only facilities entirely inside of project boundaries to be considered part of the project scope unless otherwise specified.

602 High Point Lane
East Peoria, Illinois
(309) 690-9600 ext. 400
ibroadband.com

SCALE: 1" = 40' @ 50 FEET

PCS-USA Conditional Easement Draw

SHEET NOTES:

- Fiber cables and size are shown as directed from the engineer. All cables are to be installed within proposed conduit.
- Conductor shall meet every all dimensions prior to installing fiber cable.
- See Sheet N1 for installed fiber cable stub requirements.

PROJECT ENGINEER:
Troy Mostman

REVISIONS

/	/ 24	No.
/	/ 24	No.
/	/ 24	No.
/	/ 24	No.
/	/ 24	No.

Printed: 12/4/2024
Time: 2:52 PM

PROPOSED FIBER INSTALLATION PLANS
FIBER INSTALLATION PLAN MAPS
SECTOR: NWCHIL2101

SHEET:
F2



SUBMITTED FOR PERMITTING

\\pcr-pm116.c:\Users\TroyMostman\Desktop\Sector 2m working\en\Sector 2m working\en\NWCHIL2101\07_Templates.aprx

Facilities leaving project boundaries shown only for reference. Only facilities entirely inside of project boundaries to be considered part of the project scope unless otherwise specified.

602 High Point Lane
 501 S. Main Street
 (303) 670-0400 ext. 400
 lbroadband.com

SCALE: 1" = 50 FEET
 PCS USA Consistent Equipment Code

SHEET NOTES:
 1. Fiber cables and legs are shown as offset from proposed conduit for ease of installation. Conduit shall be installed in a trench with a minimum depth of 18" and shall be installed in a trench with a minimum depth of 18" and shall be installed in a trench with a minimum depth of 18".
 2. Contractor shall field verify all dimensions prior to installing fiber cable.
 3. See Sheet #11 for installed fiber cable slack requirements.

PROJECT ENGINEER:
 Troy Nossaman

REVISIONS

/	/ 24	No.
/	/ 24	No.
/	/ 24	No.
/	/ 24	No.
/	/ 24	No.

PROPOSED FIBER INSTALLATION PLANS
FIBER INSTALLATION PLAN MAPS
 Printed: 12/4/2024
 Time: 2:52 PM

SECTOR: NWC HIL 2101

F3

SHEET:



SUBMITTED FOR PERMITTING

UNPLANNED DEVELOPMENT, INC. 1000 W. 10th Street, Suite 100, Denver, CO 80202. For more information, visit www.unplanneddevelopment.com

Facilities leaving project boundaries shown only for reference. Only facilities entirely inside of project boundaries to be considered part of the project scope unless otherwise specified.



SHEET NOTES:
 PCS, USA Commercial Equipment, Conc.
 SCALE: 1"=50' FEET
 1. Fiber cables and tags are shown as either from proposed or existing facilities. For compatibility with proposed conduit.
 2. Conductor shall field verify all dimensions prior to installing fiber cable.
 3. See Sheet 81 for installed fiber cable slack requirements.

PROJECT ENGINEER: Troy Mosiman

REVISIONS	No.	Date
/	24	/
/	24	/
/	24	/
/	24	/
/	24	/

PROPOSED FIBER INSTALLATION PLANS

FIBER INSTALLATION PLAN MAPS

SECTOR: NWCCHIL2101

Printed: 12/4/2024

Time: 2:53 PM

SHEET: **F4**

SUBMITTED FOR PERMITTING

Facilities leaving project boundaries shown only for reference. Only facilities entirely inside of project boundaries to be considered part of the project scope unless otherwise specified.

602 High Point Lane
West Peoria, Illinois
708-694-0000 ext. 400
Broadband@b3.com



PCS: USA Consumer Equipment Conc.
SHEET NOTES:
1. Fiber cables and legs are shown as either red or green. Red indicates fiber installed with pre-approved conduit. Green indicates fiber installed with pre-approved conduit.
2. Contractor shall field verify all dimensions prior to installing fiber cable.
3. See Sheet N1 for installed fiber cable stock requirements.

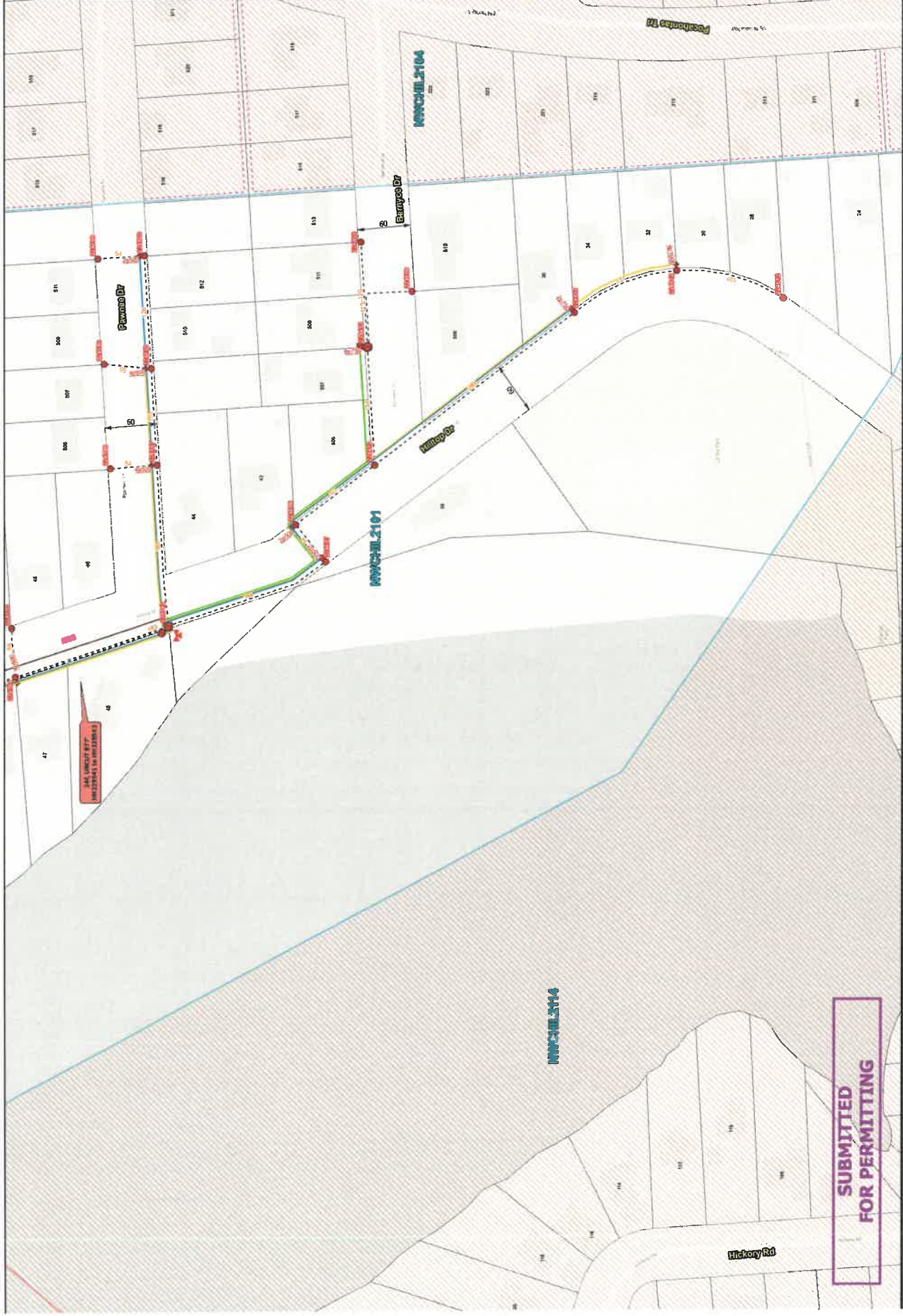
PROJECT ENGINEER:
Troy Mosman

REVISIONS
1 / 24 No.
1 / 24 No.
1 / 24 No.
1 / 24 No.
1 / 24 No.

Printed: 12/4/2024
Time: 2:54 PM

SECTOR: NWCHIL2101
FIBER INSTALLATION PLAN MAPS

SHEET:
F6



SUBMITTED FOR PERMITTING

UPW PATH: C:\Users\TroyMosman\Desktop\GisData\In working on\Sector In working on\NWCHIL2101\01_FiberMap.aprx