

SEE SHEET 2 FOR  
INDEX OF SHEETS,  
GENERAL NOTES,  
AND  
COMMITMENTS

**Project Description:**

Proposed residential network buildout

**Geographic Information**


State: Illinois  
County: McHenry  
City: Lake in the Hills

**List of Permitting Authorities:**

1. Village of Lake in the Hills
- 2.
- 3.
- 4.
- 5.

i3Broadband - Engineering Department  
PHONE: (309) 670-0400 ext. 400  
EMAIL: [engineering@i3broadband.com](mailto:engineering@i3broadband.com)

Project Designer: Troyer Group  
Const. Manager: Nemanja Stanojevic  
Market Manager: Coty Keoprasa

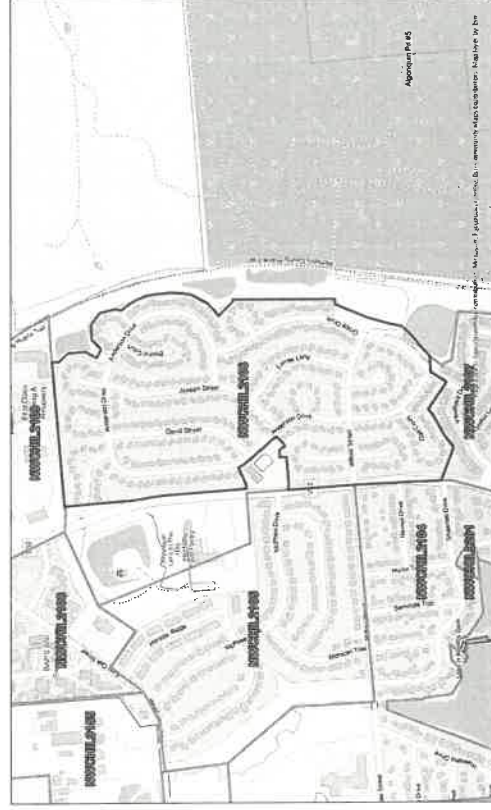
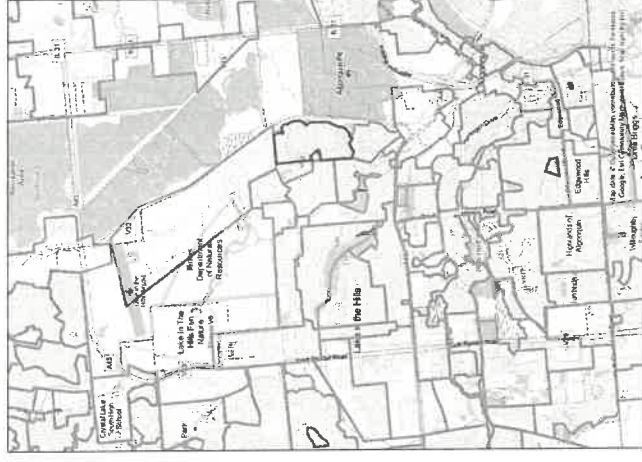
**FOR LOCATING SERVICES**  
CALL: (800) 892-0123 (IL)  
(800) 344-7483 (MO)  
or 811 (US)

Printed: 4/1/2025  
Time: 10:34 AM



# PLANS FOR PROPOSED FIBER INSTALLATION

**Market: NWCHIL**  
**Chassis: NWCHILMXKC06**  
**Sector: NWCHIL2106**  
**Bore Footage: 18,565'**  
**Passings: 342**



**SUBMITTED  
FOR PERMITTING**

**C1**

## INDEX OF SHEETS

Cover Sheet  
NI - Index, General Notes, and Commitments Sheet  
DT1 - Typical Vault Details Sheet  
DT2 - Typical Vault Installation Details Sheet  
D01 - Symbol Reference Legend Sheet  
D02 - Utility Easement Maps  
D03 - Duct and Vault Installation Maps  
D04 - Fiber Installation Maps  
D1 - D6  
F1 - F6

## SPECIAL PERMITTING COMMITMENTS

### GENERAL PLAN NOTES

- These notes shall be applicable to all operations performed under this contract, except when they conflict with any SPECIAL PERMIT COMMITMENTS (SEE THIS SHEET). In such cases, the notes in that section shall supercede these notes.
- All care should be taken to mitigate damage to existing utilities. OneCall shall be contacted before any boring or excavation.
- Note that handholes drawn on the shared lot line can be adjusted to either side of the lot line as necessary, which is standard on i3Broadband prints. Handholes that are shifted to one side of a lot line need to be placed on that side of the lot line, generally to comply with an easement, or to avoid a driveway or large tree.
- Construction change order requests shall be coordinated with the appropriate i3 Construction Department Representative and CLEARLY DOCUMENTED ON THESE PLANS AS RED-LINED AS-BUILT DRAWINGS.
- Any damage to adjacent properties caused by construction operations within the work area shall be fully restored to their ORIGINAL CONDITION.
- Dimensions (approximate, in feet) shown generally indicate total Right-of-Way width, or Utility Easement width relative to nearest lot line. Rights-of-Way and Utility Easements are not necessarily uniform (i.e. not split evenly a cross street centerline or property line). Contact i3 as needed for clarity.
- SLACK NOTES:**
  - All taps are to have 4' of slack at the head, 55' at the splice case, and no slack storage anywhere else.
  - Mainline cable to have 55' at all ends/cut points and 110' at all #3 or larger handholes where cable is uncut.
  - Any other abnormalities will be noted on prints.
- The CONTRACTOR shall be required to comply with all Federal, State, and Local laws/ordinances, in addition to all i3Broadband contract documents.



602 High Point Lane  
East Peoria, Illinois  
(309) 676-0400 ext. 400  
i3broadband.com

RESERVED  
FOR SHEET  
NORTH ARROW  
AND SCALE

PROJECT ENGINEER:

Troyer Group

REVISIONS

/ / 24 | No.

/ / 24 | No.

/ / 24 | No.

/ / 24 | No.

/ / 24 | No.

PROPOSED FIBER INSTALLATION PLANS

INDEX, GENERAL NOTES, AND COMMITMENTS

SECTOR: NWCHIL2106

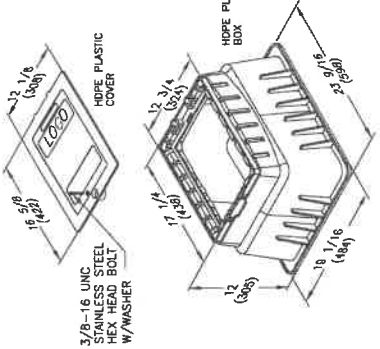
Printed: 4/1/2025  
Time: 10:34 AM

**SUBMITTED  
FOR PERMITTING**

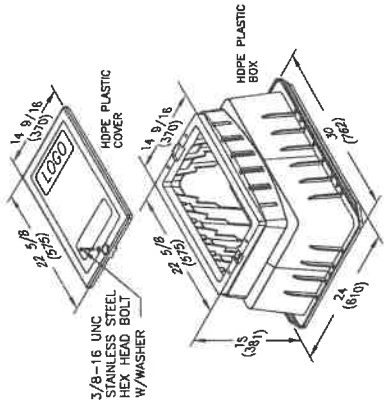
**N1**

# TYPICAL VAULT (HANDHOLE) DETAILS

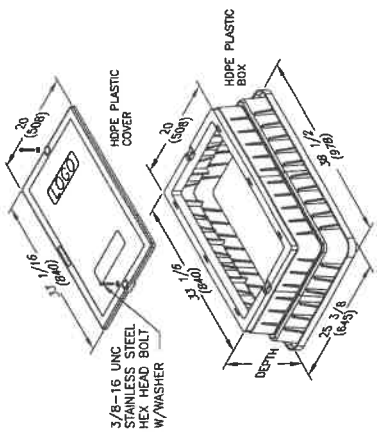
**i3 Broadband**  
 602 High Point Lane  
 East Peoria, Illinois  
 (309) 570-0400 ext. 400  
 ibroadband.com



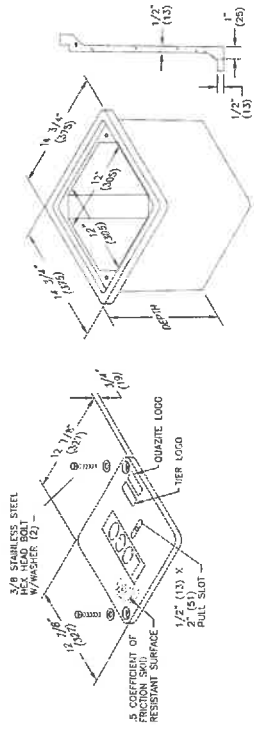
**HH1 (PED RATED) (PE-14 or Eq.)**



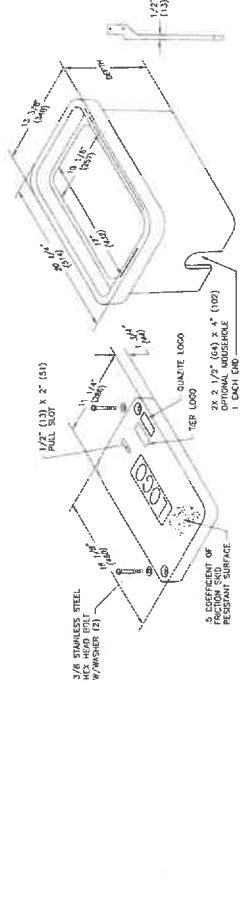
**HH2 (PED RATED) (PE-20 or Eq.)**



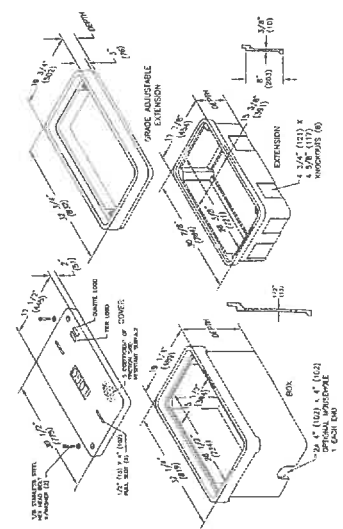
**HH3 (PED RATED) (PE-30 or Eq.)**



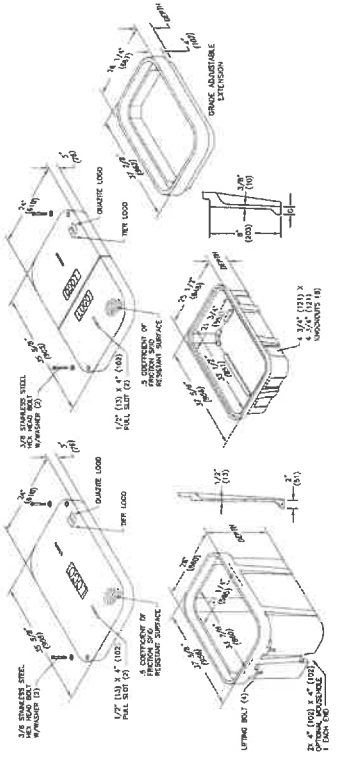
**HH0 (TIER15 RATED)**



**HH1 (TIER15 RATED) (QUAZITE 11X18 or Eq.)**



**HH3 (TIER15 RATED) (QUAZITE 17X30 or Eq.)**



**HH6 (TIER15 RATED) (QUAZITE 24X36 or Eq.)**

**PROPOSED FIBER INSTALLATION PLANS**  
**INDEX, GENERAL NOTES, AND COMMITMENTS**  
 SECTOR: NWCCHIL2106  
 Printed: 4/1/2025  
 Time: 10:35 AM

Note:  
 Dimensions shown on this sheet represent typical weight/hole configurations based on i3 Broadband's weight/hole configurations. Dimensions may vary between manufacturers. Dimensions are shown in inches unless otherwise specified.

**SUBMITTED FOR PERMITTING**

**DT1**

PROJECT ENGINEER: Toyer Group

REVISIONS
/ 24   No.
/ 24   No.
/ 24   No.
/ 24   No.
/ 24   No.

RESERVED  
 FOR SHEET  
 NORTH ARROW  
 AND SCALE

PROJECT ENGINEER:  
 Troyer Group

REVISIONS

/ /24 / No.

/ /24 / No.

/ /24 / No.

/ /24 / No.

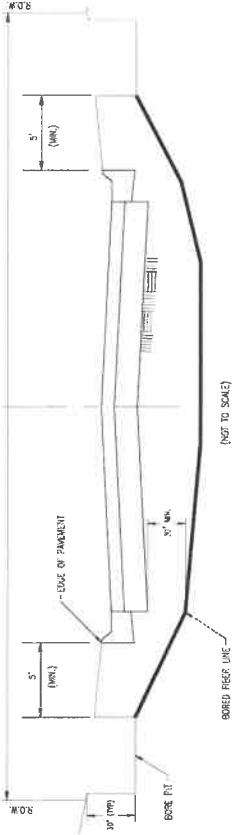
Printed: 4/1/2025  
 Time: 10:35 AM

SECTOR: NWCHIL2106

**PROPOSED FIBER INSTALLATION PLANS**  
**INDEX, GENERAL NOTES, AND COMMITMENTS**

**SUBMITTED  
 FOR PERMITTING**

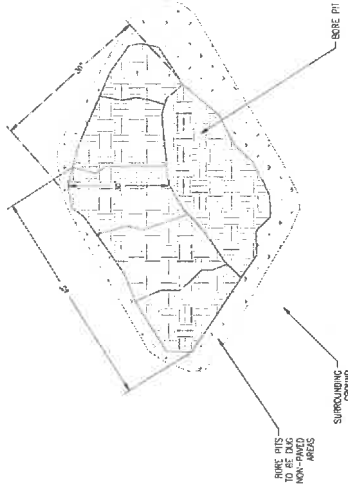
**DT2**



**BORED ROAD CROSSING  
 TYPICAL DETAIL**

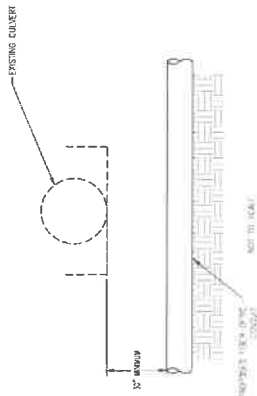
NOTES:  
 1. LOCAL TO BE CONSULTED WHEN PLANS INDICATE A HIGHWAY ON EITHER SIDE OF A ROAD CROSSING. IF A HIGHWAY IS INDICATED ON ONLY ONE SIDE OF THE ROADWAY, THE BORE MAY CONTINUE THROUGH THE CROSSING. DISTANCES AND DEPTHS AS SHOWN ON THE DETAIL ARE STILL APPLICABLE.

**ADDITIONAL NOTES**  
 1. CONTRACTOR TO APPLY FOR EROSION CONTROL PERMITS TO CITY PRIOR TO CONSTRUCTION  
 2. ALL AREAS DISTURBED BY CONSTRUCTION TO BE REPLACED IN KIND WITH LIKE MATERIALS.  
 3. ALL EXISTING UTILITIES TO BE MAINTAINED AND PROTECTED THROUGHOUT CONSTRUCTION.  
 4. ALL EXISTING UTILITIES TO BE MAINTAINED AND PROTECTED THROUGHOUT CONSTRUCTION.  
 5. ALL EXISTING UTILITIES TO BE MAINTAINED AND PROTECTED THROUGHOUT CONSTRUCTION.  
 6. ALL EXISTING UTILITIES TO BE MAINTAINED AND PROTECTED THROUGHOUT CONSTRUCTION.  
 7. ALL EXISTING UTILITIES TO BE MAINTAINED AND PROTECTED THROUGHOUT CONSTRUCTION.  
 8. ALL EXISTING UTILITIES TO BE MAINTAINED AND PROTECTED THROUGHOUT CONSTRUCTION.  
 9. ALL EXISTING UTILITIES TO BE MAINTAINED AND PROTECTED THROUGHOUT CONSTRUCTION.  
 10. ALL EXISTING UTILITIES TO BE MAINTAINED AND PROTECTED THROUGHOUT CONSTRUCTION.

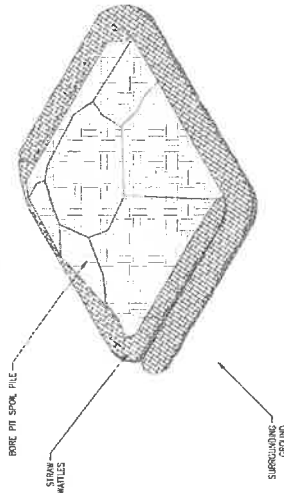


NOT TO SCALE

NOTES:  
 1. BORED PITS TO BE REQUIRED ON 17"x30" HANDHOLES AND LARGER.  
 2. EROSION AND SEDIMENT CONTROL FOR BORED PITS PER STANDARD DETAIL.  
 3. BORED PITS TO BE DUG IN NON-PAVED AREAS DIST. FROM PAVEMENT PER CITY PERMITS.  
 4. BORED PITS TO BE DUG IN PAVED AREAS AS INDICATED. CONTRACTOR TO COORDINATE WITH ENGINEER AND CITY ON EROSION AND SEDIMENT CONTROL MEASURES.  
 5. BORED PITS TO BE LOCATED AND WORKED IN ADVANCE OF BORING OPERATIONS. A DATE OF COMPLETION SHALL BE DETERMINED WITHIN 14 DAYS OF COMPLETION OF BORING OPERATIONS AND INSTALLATION OF HANDHOLES.



**FIBER OPTIC CONDUIT AND CULVERT SEPARATION  
 TYPICAL VERTICAL SEPARATION**



NOT TO SCALE

NOTES:  
 1. INSTALLATION TO BE COMPLETED IN ACCORDANCE WITH MANUFACTURER'S SPECIFICATIONS.  
 2. FIBER BAILS SHOULD BE INSPECTED AFTER EVERY SIGNIFICANT EXCAVATION TO CLEAR AND DRYNESS OF SPOILS AND DEBRIS.  
 3. FIBER BAILS SHOULD BE INSPECTED AFTER EVERY SIGNIFICANT EXCAVATION TO CLEAR AND DRYNESS OF SPOILS AND DEBRIS.  
 4. FIBER BAILS SHOULD BE INSPECTED AFTER EVERY SIGNIFICANT EXCAVATION TO CLEAR AND DRYNESS OF SPOILS AND DEBRIS.  
 5. FIBER BAILS SHOULD BE INSPECTED AFTER EVERY SIGNIFICANT EXCAVATION TO CLEAR AND DRYNESS OF SPOILS AND DEBRIS.  
 6. FIBER BAILS SHOULD BE INSPECTED AFTER EVERY SIGNIFICANT EXCAVATION TO CLEAR AND DRYNESS OF SPOILS AND DEBRIS.  
 7. FIBER BAILS SHOULD BE INSPECTED AFTER EVERY SIGNIFICANT EXCAVATION TO CLEAR AND DRYNESS OF SPOILS AND DEBRIS.  
 8. FIBER BAILS SHOULD BE INSPECTED AFTER EVERY SIGNIFICANT EXCAVATION TO CLEAR AND DRYNESS OF SPOILS AND DEBRIS.  
 9. FIBER BAILS SHOULD BE INSPECTED AFTER EVERY SIGNIFICANT EXCAVATION TO CLEAR AND DRYNESS OF SPOILS AND DEBRIS.  
 10. FIBER BAILS SHOULD BE INSPECTED AFTER EVERY SIGNIFICANT EXCAVATION TO CLEAR AND DRYNESS OF SPOILS AND DEBRIS.

**EROSION & SEDIMENT CONTROL  
 BORED PIT SPOIL PILE**



Facilities leaving project boundaries shown only for reference. Only facilities entirely inside of project boundaries to be considered part of the project scope unless otherwise specified.

**NSI USA Commercial Endowment Code**

**Scale:** 1 inch equals 200 feet

**North Arrow**

**SHEET NOTES:**

- See Sheet DT2 for typical road crossing and bore pit detail.
- Method of conduit installation shall be determined by the contractor. ALL SPOOLS AND FITTINGS SHALL BE APPROVED BY THE PERMITTING COMMITTEE (See Sheet W).
- Additional conduit locations (other than those shown) shall be determined by the contractor. ONLY additional spools shall follow the same general bore-path as the primary duct.

**PROJECT ENGINEER:**  
 Troyer Group

REVISIONS	
/	7/24   No.
/	7/24   No.
/	7/24   No.
/	7/24   No.
/	7/24   No.

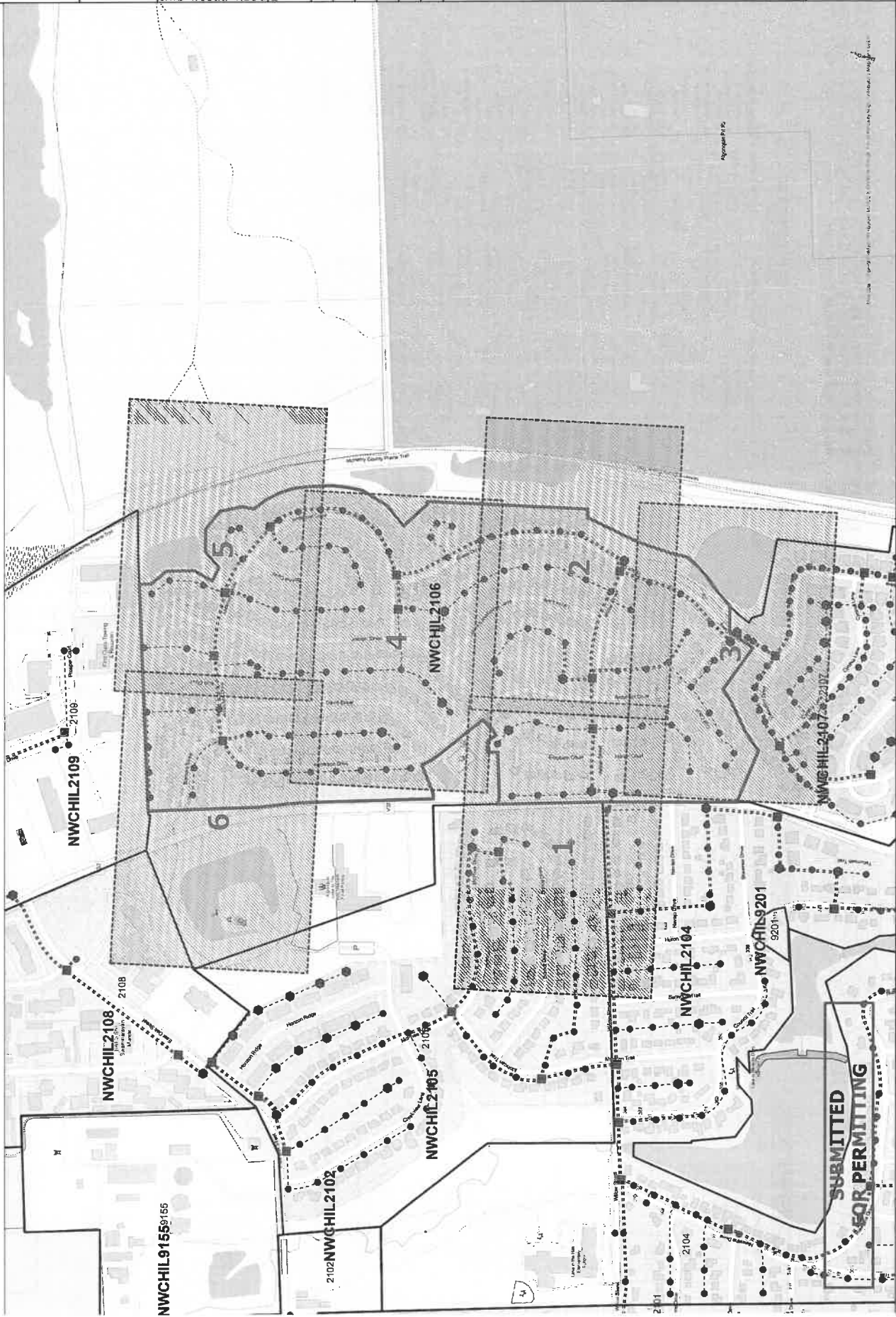
**INDEX, GENERAL NOTES, AND COMMENTS**

**PROPOSED FIBER INSTALLATION PLANS**

Printed: 4/1/2025  
 Time: 10:37 AM

SECTOR: NWCHIL2106

**PO1**





Facilities leaving project boundaries shown only for reference. Only facilities entirely inside of project boundaries to be considered part of the project scope unless otherwise specified.



602 High Point Lane  
 East Peoria, Illinois  
 (309) 670-0400 ext. 400  
 i3broadband.com



**SHEET NOTES:**  
 1. See Sheet 07E for typical road crossing and drive 'X' details.  
 2. Method of conduit installation shall be as shown on drawings unless otherwise noted on the plans or in the notes.  
 3. SPECIAL PERMITTING COMMITMENTS (See Sheet 07A).  
 4. Additional conduit bundles (other than those shown) shall be installed in the same trench as those shown on the plans. Additional ducts shall follow the same general location as the primary duct.

**PROJECT ENGINEER:**  
 Troyer Group

REVISIONS	
/	/ No.
/	/ No.
/	/ No.
/	/ No.
/	/ No.

**PROPOSED FIBER INSTALLATION PLANS**  
**DUCT AND VAULT INSTALLATION MAPS**  
 Printed: 4/1/2025  
 Time: 1:55 PM

SECTOR: NWCHIL2106

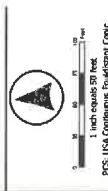
D2



SUBMITTED FOR PERMITTING

Facilities leaving project boundaries shown only for reference. Only facilities entirely inside of project boundaries to be considered part of the project scope unless otherwise specified.

**i3 Broadband**  
 602 High Point Lane  
 East Peoria, Illinois  
 (309) 670-9400 ext. 400  
 i3broadband.com



PCS: USA, Illinois  
 SHEET NOTES:  
 1. See Sheet 027 for typical manhole crossing and bore pit details.  
 2. Method of conduit installation shall be determined by the contractor. UNLESS OTHERWISE NOTED, ALL CONDUITS SHALL BE INSTALLED IN A TRENCH.  
 3. Additional conduit locations (other than those shown) shall be determined by the contractor. ONLY Additional ducts shall follow the same general bore-path as the primary duct.  
 PROJECT ENGINEER:  
 Troyer Group

REVISIONS	
/ /	No. _____
/ /	No. _____
/ /	No. _____
/ /	No. _____
/ /	No. _____
/ /	No. _____

Printed: 4/1/2025  
 Time: 1:56 PM

SECTOR: NWCHIL2106  
**DUCT AND VAULT INSTALLATION MAPS**  
**PROPOSED FIBER INSTALLATION PLANS**

**D3**





Facilities leaving project boundaries shown only for reference. Only facilities entirely inside of project boundaries to be considered part of the project scope unless otherwise specified.

**i3** Broadband  
 602 High Point Lane  
 East Peoria, Illinois  
 (309) 679-9000 ext. 400  
 ibroadband.com



PCS, USA, C, and S, SUBMITTAL CONC  
**SHEET NOTES:**  
 1. See Sheet 012 for typical road crossing and bore pit detail.  
 2. Method of conduit installation shall be per manufacturer's or manufacturer's instructions. All conduits shall be installed in accordance with the manufacturer's instructions. ALL SPECIAL PERMITTING COMMITMENTS (see Sheet 01).  
 3. Additional conduit locations (other than those shown) shall be determined by the engineer. All additional conduit locations shall be shown on a separate sheet and shall follow the same general bore-path as the Primary Duct.  
**PROJECT ENGINEER:**  
 Troyer Group

REVISIONS	
/	/ No.
/	/ No.
/	/ No.
/	/ No.
/	/ No.

**PROPOSED FIBER INSTALLATION PLANS**  
**DUCT AND VAULT INSTALLATION MAPS**  
 Printed: 4/1/2025  
 Time: 1:56 PM

SECTOR: NWCHIL2106

**D5**



Facilities leaving project boundaries shown only for reference. Only facilities entirely inside of project boundaries to be considered part of the project scope unless otherwise specified.



**i3 Broadband**  
 602 High Point Lane  
 Cary, Illinois  
 (309) 470-1100  
 ibroadband.com

**SHEET NOTES:**  
 1. See sheet 112 for tower and crossing and tower details.  
 2. Member of county resolution shall be otherwise noted on the plans or SPECIAL PRINTING COMMITMENTS (see sheet 11).  
 3. Addresser indicate location (near the general location at the Primary Doc.  
 PROJECT ENGINEER:  
 Troyer Group

REVISIONS	
/ /	No.
/ /	No.
/ /	No.
/ /	No.
/ /	No.

Printed: 4/1/2025  
 Time: 1:56 PM  
 SECTOR: NWCHIL2106  
**DUCT AND VAULT INSTALLATION MAPS**  
**PROPOSED FIBER INSTALLATION PLANS**

**D6**



Facilities leaving project boundaries shown only for reference. Only facilities entirely inside of project boundaries to be considered part of the project scope unless otherwise specified.

**13 Broadband**  
603 High Point Lane  
East Point, Illinois  
(309) 670-9400 ext. 400  
13broadband.com



**SHEET NOTES:**  
1. See Sheet D72 for typical road crossing and bore pit details.  
2. Method of conduit installation shall be determined by the contractor. ALL SPECIAL PERMITTING COMMITMENTS (See Sheet A1).  
3. Additional conduit locations (other than those shown) shall be determined by the contractor. Additional slots shall follow the same general bore-path as the Primary Duct.

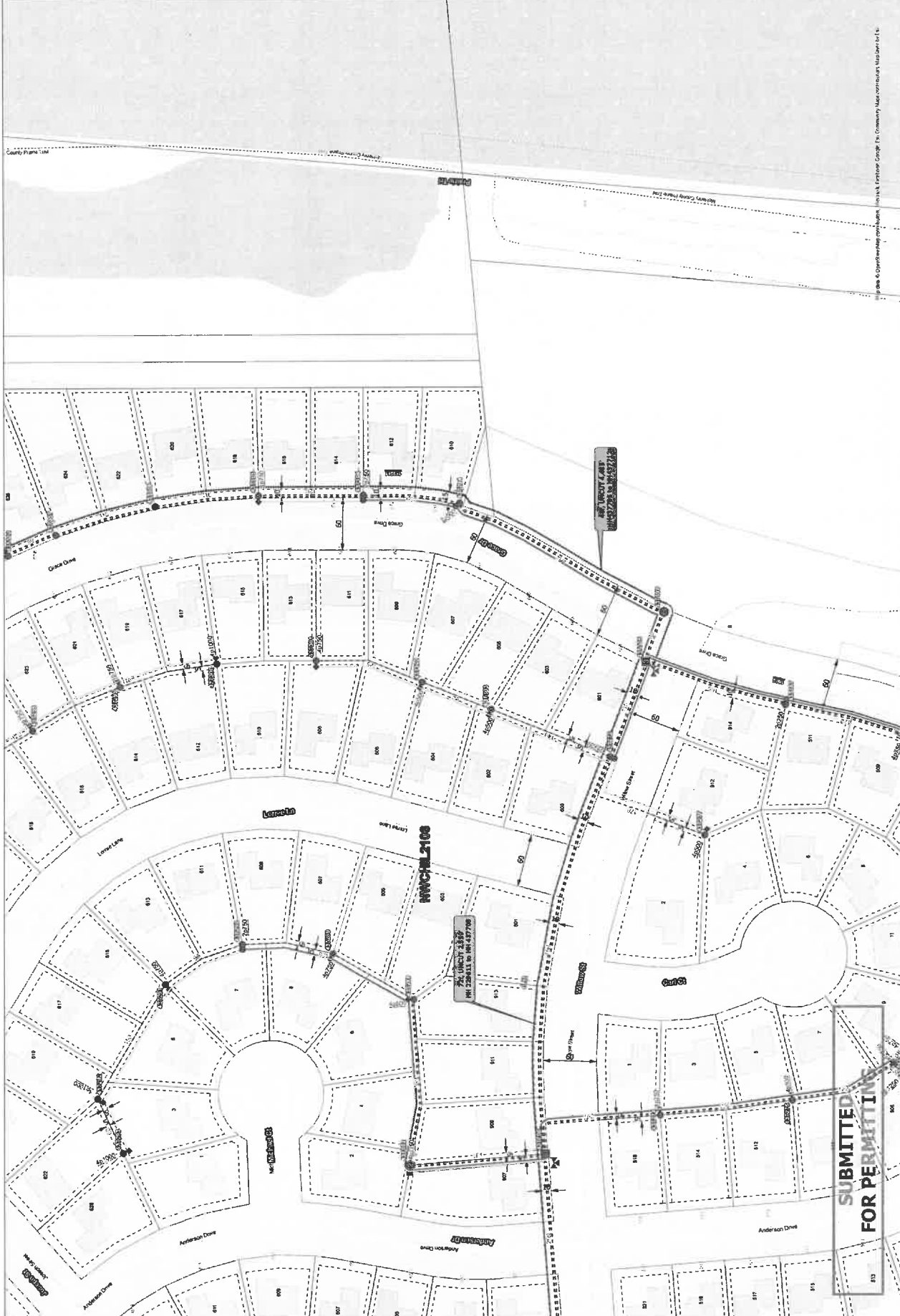
**PROJECT ENGINEER:**  
Troyer Group

REVISIONS	
/ /	No.
/ /	No.
/ /	No.
/ /	No.
/ /	No.

**PROPOSED FIBER INSTALLATION PLANS**  
**DUCT AND VAULT INSTALLATION MAPS**  
Printed: 4/1/2025  
Time: 2:03 PM

SECTOR: NWCHIL2106

**F2**



**SUBMITTED FOR PERMITTING**

Map data & geospatial information: Intellicart, Esri, DeLorme, GeoEye, The Community Map contributors, Mapbox, etc.

Facilities leaving project boundaries shown only for reference. Only facilities entirely inside of project boundaries to be considered part of the project scope unless otherwise specified.



**PCS: USA Commercial Buildings Code**  
**SHEET NOTES:**  
 1. See Sheet 012 for typical road crossing and box pit details.  
 2. Method of conduit installation shall be determined by the contractor. ALL SPECIAL PERMITTING COMMITMENTS (See Sheet 01).  
 3. Additional conduit locations (other than those shown) shall be determined by the contractor. All conduit shall follow the general bore-path as the Primary Duct.

**PROJECT ENGINEER:**  
 Troyer Group

REVISIONS	
/ /	No.
/ /	No.
/ /	No.
/ /	No.
/ /	No.

**PROPOSED FIBER INSTALLATION MAPS**  
**DUCT AND VAULT INSTALLATION MAPS**  
 Printed: 4/1/2025  
 Time: 2:03 PM  
 SECTOR: NWCHILL2106

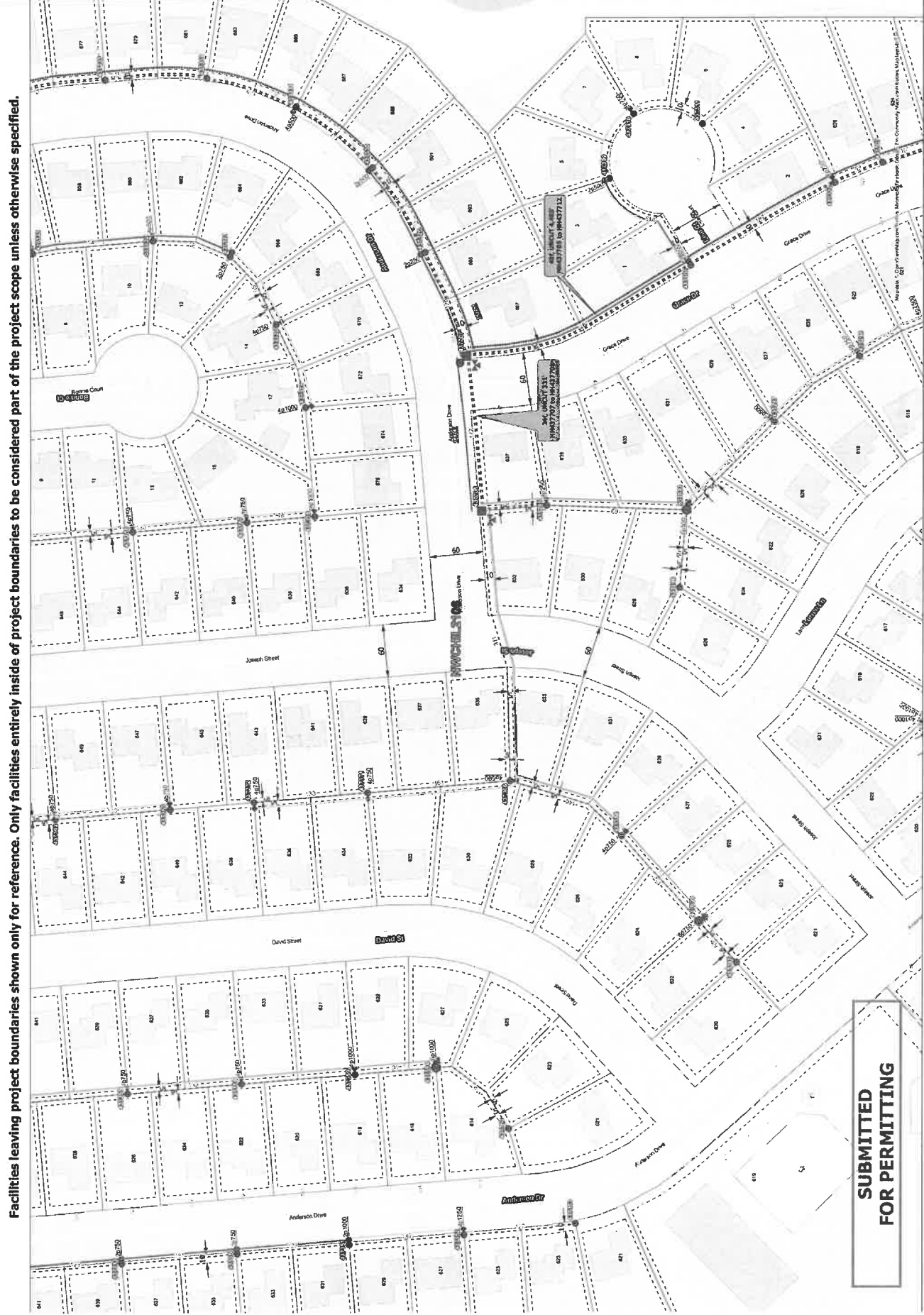
**F3**



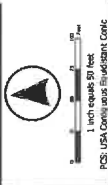
**SUBMITTED FOR PERMITTING**

Copyright © 2025 i3 Broadband. All rights reserved. i3 Broadband is a registered trademark of i3 Broadband. i3 Broadband is not responsible for any errors or omissions in this document. i3 Broadband is not responsible for any damages, including consequential damages, arising from the use of this document. i3 Broadband is not responsible for any delays or interruptions in service caused by this document. i3 Broadband is not responsible for any loss of data or information caused by this document. i3 Broadband is not responsible for any other damages, including consequential damages, arising from the use of this document.

Facilities leaving project boundaries shown only for reference. Only facilities entirely inside of project boundaries to be considered part of the project scope unless otherwise specified.



**i3 Broadband**  
 602 High Point Lane  
 East Peoria, Illinois  
 (309) 690-4000 ext. 400  
 ibroadband.com



**SHEET NOTES:**  
 1. See Sheet 072 for typical road crossing and base pit details.  
 2. Method of conduit installation shall be determined by the contractor. ALL SIZES AND TYPES OF CONDUIT SHALL BE SPECIFIED ON THE PLANS EXCEPT WHERE NOTED OTHERWISE.  
 3. Additional conduit locations (other than those shown) shall be determined by the contractor. ONLY Additional ducts shall follow the same general horizontal alignment as the Primary Duct.  
**PROJECT ENGINEER:**  
 Troyer Group

REVISIONS	
/ /	No.
/ /	No.
/ /	No.
/ /	No.
/ /	No.

**PROPOSED FIBER INSTALLATION PLANS**  
**DUCT AND VAULT INSTALLATION MAPS**  
 SECTOR: NWCHIL2106  
 Printed: 4/1/2025  
 Time: 2:03 PM

**SUBMITTED FOR PERMITTING**

**F4**



Facilities leaving project boundaries shown only for reference. Only facilities entirely inside of project boundaries to be considered part of the project scope unless otherwise specified.

**PCS USA CONSULTING ENGINEERING, INC.**  
**SHEET NOTES:**  
 1. See sheet DT2 for typical road crossing and bore pit details.  
 2. Review all consult locations prior to the start of construction. ALL CONSULTATIONS SHALL BE NOTED ON THE PLANS OR OTHERWISE NOTED ON THE PLANS OR SPECIAL PERMITTING COMMITMENTS (see sheet N/A).  
 3. Additional consult locations (other than those noted on the plans) shall be noted on the plans. Additional consults shall follow the same general format as the primary bore.  
**PROJECT ENGINEER:**  
 Troyer Group

REVISIONS	
1	No.
2	No.
3	No.
4	No.
5	No.

**PROPOSED FIBER INSTALLATION PLANS**  
**DUCT AND VAULT INSTALLATION MAPS**  
 Printed: 4/1/2025  
 Time: 2:03 PM

SECTOR: NWCHIL2106

**F6**



**SUBMITTED FOR PERMITTING**