

SEE SHEET 2 FOR
INDEX OF SHEETS,
GENERAL NOTES,
AND
COMMITMENTS

Project Description:
Residential fiber buildout

Geographic Information:
State: Illinois
County: McHenry
City: Lake in the Hills

List of Permitting Authorities:
1. Village of Lake in the Hills

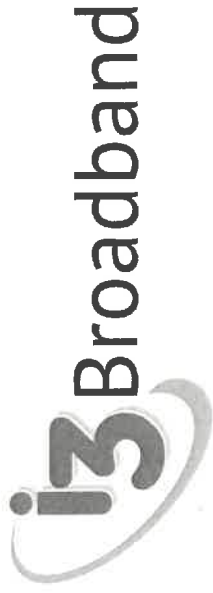
i3Broadband - Engineering Department
PHONE: (309) 670-0400 ext. 400
EMAIL: engineering@i3broadband.com

Project Designer: **Steven Berchtold**
Const. Manager: **Nemanja Stamojevic**
Market Manager: **Coty Keoprasa**



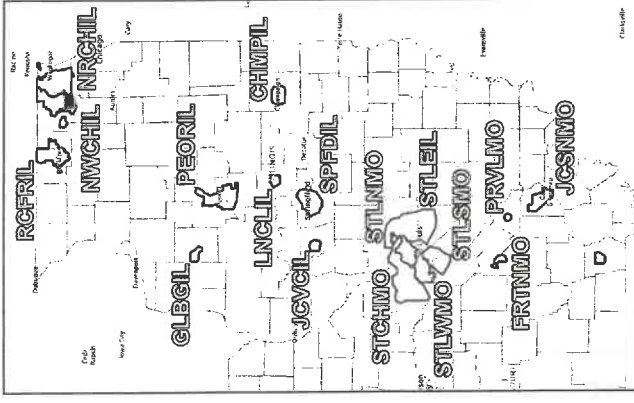
FOR LOCATING SERVICES
CALL: (800) 892-0123 (IL)
(800) 344-7483 (MO)
or 811 (US)

Printed: 4/16/2025
Time: 3:46 PM



PLANS FOR PROPOSED FIBER INSTALLATION

Market: NWCHIL
Chassis: NWCHILMXKC06
Sector: NWCHIL2105
Bore Footage: 10118
Passings: 212



**SUBMITTED
FOR PERMITTING**

INDEX OF SHEETS

CI	Cover Sheet
N1	Index, General Notes, and Commitments Sheet
DT1	Typical Vault Details Sheet
DT2	Typical Vault Installation Details Sheet
LI	Symbol Reference Legend Sheet
PO1	Project Overview Map
D1 - D4	Duct and Vault Installation Maps
F1 - F4	Fiber Installation Maps

SPECIAL PERMITTING COMMITMENTS

Lake in the Hills
No specific requirements.

GENERAL PLAN NOTES

- These notes shall be applicable to all operations performed under this contract, except when they conflict with any SPECIAL PERMIT COMMITMENTS (SEE THIS SHEET). In such cases, the notes in that section shall supercede these notes.
All care should be taken to mitigate damage to existing utilities. OneCall shall be contacted before any boring or excavation.
- Note that handholes drawn on the shared lot line can be adjusted to either side of the lot line as necessary, which is standard on i3Broadband prints. Handholes that are shifted to one side of a lot line need to be placed on that side of the lot line, generally to comply with an easement, or to avoid a driveway or large tree.
Construction change order requests shall be coordinated with the appropriate i3 Construction Department Representative and CLEARLY DOCUMENTED ON THESE PLANS AS RED-LINED AS-BUILT DRAWINGS.
- Any damage to adjacent properties caused by construction operations within the work area shall be fully restored to their ORIGINAL CONDITION.
- Dimensions (approximate, in feet) shown generally indicate total Right-of-Way width, or Utility Easement width relative to nearest lot line. Rights-of-Way and Utility Easements are not necessarily uniform (i.e. not split evenly a cross street centerline or property line).
Contact i3 as needed for clarity.
- SLACK NOTES:
-All taps are to have 4' of slack at the head, 55' at the splice case, and no slack storage anywhere else.
-Mainline cable to have 55' at all ends/out points and 110' at all #3 or larger handholes where cable is uncut.
-Any other abnormalities will be noted on prints.
- The CONTRACTOR shall be required to comply with all Federal, State, and Local laws/ordinances, in addition to all i3Broadband contract documents.

**SUBMITTED
FOR PERMITTING**



RESERVED
FOR SHEET
NORTH ARROW
AND SCALE

PROJECT ENGINEER:

Steven Bierchold

REVISIONS

/	/ 24	No.
/	/ 24	No.
/	/ 24	No.
/	/ 24	No.
/	/ 24	No.

PROPOSED FIBER INSTALLATION PLANS

INDEX, GENERAL NOTES, AND COMMITMENTS

Printed: 4/16/2025
Time: 12:18 PM

SECTOR: NWCHIL2105

SHEET:

N1

TYPICAL VAULT (HANDHOLE) DETAILS

i3 Broadband
 602 High Point Lane
 Suite 100
 (309) 676-0100 ext. 600
 ibroadband.com

RESERVED FOR SHEET NORTH ARROW AND SCALE

PROJECT ENGINEER
Steven Berchold

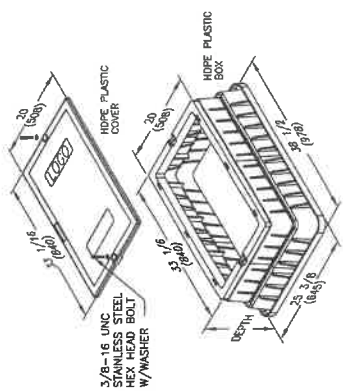
REVISIONS

/	/ 24	No.	_____
/	/ 24	No.	_____
/	/ 24	No.	_____
/	/ 24	No.	_____
/	/ 24	No.	_____

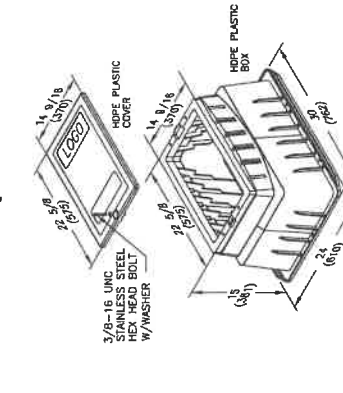
Time: 12:18 PM
 Printed: 4/16/2025

SECTOR: NWCHIL2105
 TYPICAL VAULT (HANDHOLE) DETAILS
 PROPOSED FIBER INSTALLATION PLANS

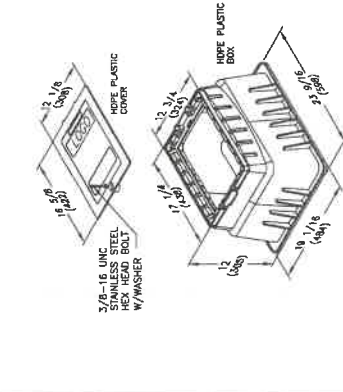
SHEET: DT1



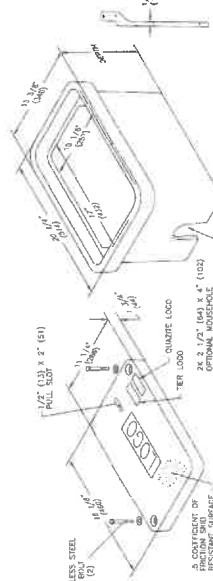
HH3 (PED RATED) (PE-30 or Eq.)



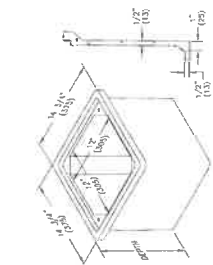
HH2 (PED RATED) (PE-20 or Eq.)



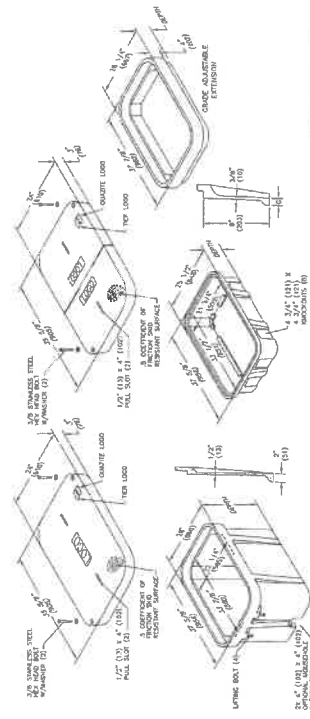
HH1 (PED RATED) (PE-14 or Eq.)



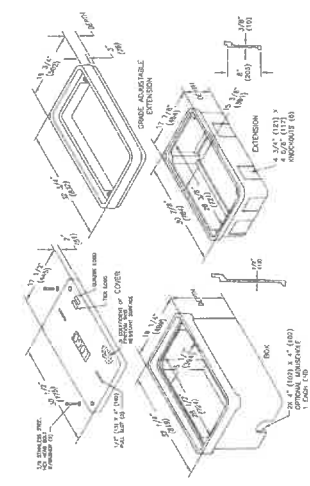
HH1 (TIER 15 RATED) (QUAZITE 11x18 or Eq.)



HH0 (TIER 15 RATED)



HH6 (TIER 15 RATED) (QUAZITE 24x36 or Eq.)



HH3 (TIER 15 RATED) (QUAZITE 17x30 or Eq.)

Note: Dimensions shown on this sheet represent typical manufacturer configurations based on i3 Broadband's preferred manufacturer specifications. Minor variations may exist between various manufacturer manufacturers.

SUBMITTED FOR PERMITTING

SYMBOL REFERENCE LEGEND

CONSTRUCTION

- Duct/Conduit**
- Primary
 - Secondary
 - Third Order
 - Fourth Order
 - Is Bidding
- Splice Cases**
- Type A
 - Sample size
 - Third Order
 - Type B
 - Type B (No Grounding)
 - Type C
 - Type D
 - Type D (No Grounding)
- Shelters**
- Shelters

INSTALLED

- Duct/Conduit**
- Primary
 - Secondary
 - Fourth Order
 - Is Bidding
- Splice Cases**
- Type A
 - Sample size
 - Type B
 - Type B (No Grounding)
 - Type C
 - Type D
 - Type D (No Grounding)
- Shelters**
- Shelters

MISC.

- Utility Easement**
- Utility Easement
- Parcels**
- Per and Map Installation Maps
 - Fiber Installation Maps
- Sector Boundaries**
- Cover A Under Map (Project)
 - Under Map (AD)
- Project Eater**
- Project Eater
- Non Project Sectors**
- Non Project Sectors
- Drip Arrows**
- Drip Arrow (Felted)
- Index Sheet Borders**
- Project Sheet Boundaries

INTERNAL TAPS

- Internal Taps**
- 2 Ports
 - 4 Ports
 - 8 Ports
 - 12 Ports
- Splicers**
- Call
 - Zone
 - Unknown
- Additional Cable Slack**
- Additional Cable Slack
- Taps**
- 2 Ports
 - 4 Ports
 - 8 Ports
 - 12 Ports
- Mainline Cables**
- 11
 - 41
 - 81
 - 121
 - 161
 - 201
 - 241
 - 281
 - 321
 - 361
 - 401
 - 441
 - 481
 - 521
 - 561
 - 601
 - 641
 - 681
 - 721
 - 761
 - 801
 - 841
 - 881
 - 921
 - 961
 - 1001
 - 1041
 - 1081
 - 1121
 - 1161
 - 1201
 - 1241
 - 1281
 - 1321
 - 1361
 - 1401
 - 1441
 - 1481
 - 1521
 - 1561
 - 1601
 - 1641
 - 1681
 - 1721
 - 1761
 - 1801
 - 1841
 - 1881
 - 1921
 - 1961
 - 2001
 - 2041
 - 2081
 - 2121
 - 2161
 - 2201
 - 2241
 - 2281
 - 2321
 - 2361
 - 2401
 - 2441
 - 2481
 - 2521
 - 2561
 - 2601
 - 2641
 - 2681
 - 2721
 - 2761
 - 2801
 - 2841
 - 2881
 - 2921
 - 2961
 - 3001
 - 3041
 - 3081
 - 3121
 - 3161
 - 3201
 - 3241
 - 3281
 - 3321
 - 3361
 - 3401
 - 3441
 - 3481
 - 3521
 - 3561
 - 3601
 - 3641
 - 3681
 - 3721
 - 3761
 - 3801
 - 3841
 - 3881
 - 3921
 - 3961
 - 4001
 - 4041
 - 4081
 - 4121
 - 4161
 - 4201
 - 4241
 - 4281
 - 4321
 - 4361
 - 4401
 - 4441
 - 4481
 - 4521
 - 4561
 - 4601
 - 4641
 - 4681
 - 4721
 - 4761
 - 4801
 - 4841
 - 4881
 - 4921
 - 4961
 - 5001
 - 5041
 - 5081
 - 5121
 - 5161
 - 5201
 - 5241
 - 5281
 - 5321
 - 5361
 - 5401
 - 5441
 - 5481
 - 5521
 - 5561
 - 5601
 - 5641
 - 5681
 - 5721
 - 5761
 - 5801
 - 5841
 - 5881
 - 5921
 - 5961
 - 6001
 - 6041
 - 6081
 - 6121
 - 6161
 - 6201
 - 6241
 - 6281
 - 6321
 - 6361
 - 6401
 - 6441
 - 6481
 - 6521
 - 6561
 - 6601
 - 6641
 - 6681
 - 6721
 - 6761
 - 6801
 - 6841
 - 6881
 - 6921
 - 6961
 - 7001
 - 7041
 - 7081
 - 7121
 - 7161
 - 7201
 - 7241
 - 7281
 - 7321
 - 7361
 - 7401
 - 7441
 - 7481
 - 7521
 - 7561
 - 7601
 - 7641
 - 7681
 - 7721
 - 7761
 - 7801
 - 7841
 - 7881
 - 7921
 - 7961
 - 8001
 - 8041
 - 8081
 - 8121
 - 8161
 - 8201
 - 8241
 - 8281
 - 8321
 - 8361
 - 8401
 - 8441
 - 8481
 - 8521
 - 8561
 - 8601
 - 8641
 - 8681
 - 8721
 - 8761
 - 8801
 - 8841
 - 8881
 - 8921
 - 8961
 - 9001
 - 9041
 - 9081
 - 9121
 - 9161
 - 9201
 - 9241
 - 9281
 - 9321
 - 9361
 - 9401
 - 9441
 - 9481
 - 9521
 - 9561
 - 9601
 - 9641
 - 9681
 - 9721
 - 9761
 - 9801
 - 9841
 - 9881
 - 9921
 - 9961
 - 10001
 - 100041
 - 100081
 - 100121
 - 100161
 - 100201
 - 100241
 - 100281
 - 100321
 - 100361
 - 100401
 - 100441
 - 100481
 - 100521
 - 100561
 - 100601
 - 100641
 - 100681
 - 100721
 - 100761
 - 100801
 - 100841
 - 100881
 - 100921
 - 100961
 - 101001
 - 101041
 - 101081
 - 101121
 - 101161
 - 101201
 - 101241
 - 101281
 - 101321
 - 101361
 - 101401
 - 101441
 - 101481
 - 101521
 - 101561
 - 101601
 - 101641
 - 101681
 - 101721
 - 101761
 - 101801
 - 101841
 - 101881
 - 101921
 - 101961
 - 102001
 - 102041
 - 102081
 - 102121
 - 102161
 - 102201
 - 102241
 - 102281
 - 102321
 - 102361
 - 102401
 - 102441
 - 102481
 - 102521
 - 102561
 - 102601
 - 102641
 - 102681
 - 102721
 - 102761
 - 102801
 - 102841
 - 102881
 - 102921
 - 102961
 - 103001
 - 103041
 - 103081
 - 103121
 - 103161
 - 103201
 - 103241
 - 103281
 - 103321
 - 103361
 - 103401
 - 103441
 - 103481
 - 103521
 - 103561
 - 103601
 - 103641
 - 103681
 - 103721
 - 103761
 - 103801
 - 103841
 - 103881
 - 103921
 - 103961
 - 104001
 - 104041
 - 104081
 - 104121
 - 104161
 - 104201
 - 104241
 - 104281
 - 104321
 - 104361
 - 104401
 - 104441
 - 104481
 - 104521
 - 104561
 - 104601
 - 104641
 - 104681
 - 104721
 - 104761
 - 104801
 - 104841
 - 104881
 - 104921
 - 104961
 - 105001
 - 105041
 - 105081
 - 105121
 - 105161
 - 105201
 - 105241
 - 105281
 - 105321
 - 105361
 - 105401
 - 105441
 - 105481
 - 105521
 - 105561
 - 105601
 - 105641
 - 105681
 - 105721
 - 105761
 - 105801
 - 105841
 - 105881
 - 105921
 - 105961
 - 106001
 - 106041
 - 106081
 - 106121
 - 106161
 - 106201
 - 106241
 - 106281
 - 106321
 - 106361
 - 106401
 - 106441
 - 106481
 - 106521
 - 106561
 - 106601
 - 106641
 - 106681
 - 106721
 - 106761
 - 106801
 - 106841
 - 106881
 - 106921
 - 106961
 - 107001
 - 107041
 - 107081
 - 107121
 - 107161
 - 107201
 - 107241
 - 107281
 - 107321
 - 107361
 - 107401
 - 107441
 - 107481
 - 107521
 - 107561
 - 107601
 - 107641
 - 107681
 - 107721
 - 107761
 - 107801
 - 107841
 - 107881
 - 107921
 - 107961
 - 108001
 - 108041
 - 108081
 - 108121
 - 108161
 - 108201
 - 108241
 - 108281
 - 108321
 - 108361
 - 108401
 - 108441
 - 108481
 - 108521
 - 108561
 - 108601
 - 108641
 - 108681
 - 108721
 - 108761
 - 108801
 - 108841
 - 108881
 - 108921
 - 108961
 - 109001
 - 109041
 - 109081
 - 109121
 - 109161
 - 109201
 - 109241
 - 109281
 - 109321
 - 109361
 - 109401
 - 109441
 - 109481
 - 109521
 - 109561
 - 109601
 - 109641
 - 109681
 - 109721
 - 109761
 - 109801
 - 109841
 - 109881
 - 109921
 - 109961
 - 110001
 - 110041
 - 110081
 - 110121
 - 110161
 - 110201
 - 110241
 - 110281
 - 110321
 - 110361
 - 110401
 - 110441
 - 110481
 - 110521
 - 110561
 - 110601
 - 110641
 - 110681
 - 110721
 - 110761
 - 110801
 - 110841
 - 110881
 - 110921
 - 110961
 - 111001
 - 111041
 - 111081
 - 111121
 - 111161
 - 111201
 - 111241
 - 111281
 - 111321
 - 111361
 - 111401
 - 111441
 - 111481
 - 111521
 - 111561
 - 111601
 - 111641
 - 111681
 - 111721
 - 111761
 - 111801
 - 111841
 - 111881
 - 111921
 - 111961
 - 112001
 - 112041
 - 112081
 - 112121
 - 112161
 - 112201
 - 112241
 - 112281
 - 112321
 - 112361
 - 112401
 - 112441
 - 112481
 - 112521
 - 112561
 - 112601
 - 112641
 - 112681
 - 112721
 - 112761
 - 112801
 - 112841
 - 112881
 - 112921
 - 112961
 - 113001
 - 113041
 - 113081
 - 113121
 - 113161
 - 113201
 - 113241
 - 113281
 - 113321
 - 113361
 - 113401
 - 113441
 - 113481
 - 113521
 - 113561
 - 113601
 - 113641
 - 113681
 - 113721
 - 113761
 - 113801
 - 113841
 - 113881
 - 113921
 - 113961
 - 114001
 - 114041
 - 114081
 - 114121
 - 114161
 - 114201
 - 114241
 - 114281
 - 114321
 - 114361
 - 114401
 - 114441
 - 114481
 - 114521
 - 114561
 - 114601
 - 114641
 - 114681
 - 114721
 - 114761
 - 114801
 - 114841
 - 114881
 - 114921
 - 114961
 - 115001
 - 115041
 - 115081
 - 115121
 - 115161
 - 115201
 - 115241
 - 115281
 - 115321
 - 115361
 - 115401
 - 115441
 - 115481
 - 115521
 - 115561
 - 115601
 - 115641
 - 115681
 - 115721
 - 115761
 - 115801
 - 115841
 - 115881
 - 115921
 - 115961
 - 116001
 - 116041
 - 116081
 - 116121
 - 116161
 - 116201
 - 116241
 - 116281
 - 116321
 - 116361
 - 116401
 - 116441
 - 116481
 - 116521
 - 116561
 - 116601
 - 116641
 - 116681
 - 116721
 - 116761
 - 116801
 - 116841
 - 116881
 - 116921
 - 116961
 - 117001
 - 117041
 - 117081
 - 117121
 - 117161
 - 117201
 - 117241
 - 117281
 - 117321
 - 117361
 - 117401
 - 117441
 - 117481
 - 117521
 - 117561
 - 117601
 - 117641
 - 117681
 - 117721
 - 117761
 - 117801
 - 117841
 - 117881
 - 117921
 - 117961
 - 118001
 - 118041
 - 118081
 - 118121
 - 118161
 - 118201
 - 118241
 - 118281
 - 118321
 - 118361
 - 118401
 - 118441
 - 118481
 - 118521
 - 118561
 - 118601
 - 118641
 - 118681
 - 118721
 - 118761
 - 118801
 - 118841
 - 118881
 - 118921
 - 118961
 - 119001
 - 119041
 - 119081
 - 119121
 - 119161
 - 119201
 - 119241
 - 119281
 - 119321
 - 119361
 - 119401
 - 119441
 - 119481
 - 119521
 - 119561
 - 119601
 - 119641
 - 119681
 - 119721
 - 119761
 - 119801
 - 119841
 - 119881
 - 119921
 - 119961
 - 120001
 - 120041
 - 120081
 - 120121
 - 120161
 - 120201
 - 120241
 - 120281
 - 120321
 - 120361
 - 120401
 - 120441
 - 120481
 - 120521
 - 120561
 - 120601
 - 120641
 - 120681
 - 120721
 - 120761
 - 120801
 - 120841
 - 120881
 - 120921
 - 120961
 - 121001
 - 121041
 - 121081
 - 121121
 - 121161
 - 121201
 - 121241
 - 121281
 - 121321
 - 121361
 - 121401
 - 121441
 - 121481
 - 121521
 - 121561
 - 121601
 - 121641
 - 121681
 - 121721
 - 121761
 - 121801
 - 121841
 - 121881
 - 121921
 - 121961
 - 122001
 - 122041
 - 122081
 - 122121
 - 122161
 - 122201
 - 122241
 - 122281
 - 122321
 - 122361
 - 122401
 - 122441
 - 122481
 - 122521
 - 122561
 - 122601
 - 122641
 - 122681
 - 122721
 - 122761
 - 122801
 - 122841
 - 122881
 - 122921
 - 122961
 - 123001
 - 123041
 - 123081
 - 123121
 - 123161
 - 123201
 - 123241
 - 123281
 - 123321
 - 123361
 - 123401
 - 123441
 - 123481
 - 123521
 - 123561
 - 123601
 - 123641
 - 123681
 - 123721
 - 123761
 - 123801
 - 123841
 - 123881
 - 123921
 - 123961
 - 124001
 - 124041
 - 124081
 - 124121
 - 124161
 - 124201
 - 124241
 - 124281
 - 124321
 - 124361
 - 124401
 - 124441
 - 124481
 - 124521
 - 124561
 - 124601
 - 124641
 - 124681
 - 124721
 - 124761
 - 124801
 - 124841
 - 124881
 - 124921
 - 124961
 - 125001
 - 125041
 - 125081
 - 125121
 - 125161
 - 125201
 - 125241
 - 125281
 - 125321
 - 125361
 - 125401
 - 125441
 - 125481
 - 125521
 - 125561
 - 125601
 - 125641
 - 125681
 - 125721
 - 125761
 - 125801
 - 125841
 - 125881
 - 125921
 - 125961
 - 126001
 - 126041
 - 126081
 - 126121
 - 126161
 - 126201
 - 126241
 - 126281
 - 126321
 - 126361
 - 126401
 - 126441
 - 126481
 - 126521
 - 126561
 - 126601
 - 126641
 - 126681
 - 126721
 - 126761
 - 126801
 - 126841
 - 126881
 - 126921
 - 126961
 - 127001
 - 127041
 - 127081
 - 127121
 - 127161
 - 127201
 - 127241
 - 127281
 - 127321
 - 127361
 - 127401
 - 127441
 - 127481
 - 127521
 - 127561
 - 127601
 - 127641
 - 127681
 - 127721
 - 127761</

i3 Broadband
 602 High Point Lane
 East Peoria, Illinois
 (309) 670-0400 ext. 400
 lbroadband.com



PROJECT ENGINEER:	Steven Berthold
REVISIONS	
1 / 24 No.	
1 / 24 No.	
1 / 24 No.	
1 / 24 No.	
1 / 24 No.	

SECTOR: NWCCHIL2105
 Printed: 4/16/2025
 Time: 3:47 PM

PO1
 SHEET:



APPX PATH: C:\GIS\user\pjob\Brownsfield\Fiber\NWCHIL2105\DWG\NWCCHIL2105D1_Template.aprx

SHEET NOTES:
 1. See sheet 022 for typical road crossing.
 2. Location of existing facilities shall be shown on this plan unless otherwise noted on the plans or sheets.
 3. Additional conduit locations (other than primary) are shown solely for representation purposes and are not to be construed as a commitment to install or as a guarantee of service.

PROJECT ENGINEER:
 Steven Berthold

REVISIONS	
/ 24	No.
/ 24	No.
/ 24	No.
/ 24	No.
/ 24	No.

PROPOSED FIBER INSTALLATION PLANS
FIBER INSTALLATION PLAN MAPS
 Printed: 3:48 PM
 Time: 4/16/2025

SECTOR: NWCH112105

SHEET:
D1



Facilities leaving project boundaries shown only for reference. Only facilities entirely inside of project boundaries to be considered part of the project scope unless otherwise specified.

SUBMITTED FOR PERMITTING

SHEET NOTES:
 1. See sheet 072 for typical road crossing.
 2. All facilities shown on this drawing shall be subject to the applicable local, state and federal regulations and codes. ANY CHANGES TO THE PLANS OR SPECIFICATIONS SHALL BE THE RESPONSIBILITY OF THE CLIENT.
 3. Additional conditions (other than those noted on the drawing) shall be the responsibility of the client. The client shall be responsible for obtaining all necessary permits and approvals from the appropriate authorities.

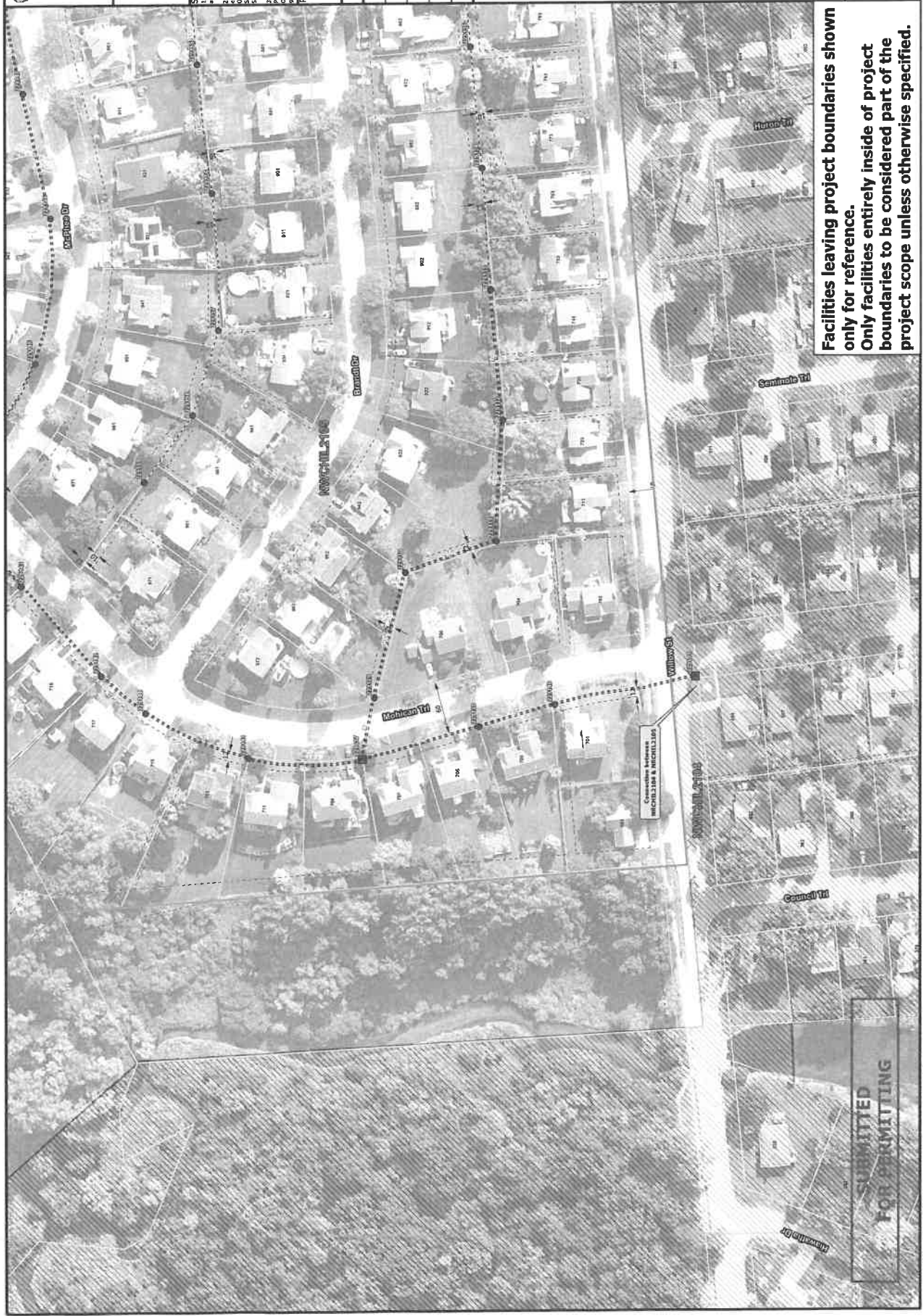
PROJECT ENGINEER:
 Steven Berthold

REVISIONS	
/ 24	No.
/ 24	No.
/ 24	No.
/ 24	No.
/ 24	No.

PROPOSED FIBER INSTALLATION PLANS
FIBER INSTALLATION PLAN MAPS
 Printed: 4/16/2025
 Time: 3:50 PM

SECTOR: NWCHIL2105

SHEET:
D3



Facilities leaving project boundaries shown only for reference. Only facilities entirely inside of project boundaries to be considered part of the project scope unless otherwise specified.

SUBMITTED FOR PERMITTING



SHEET NOTES:
 PCS: USA Configuration Equivalency Code
 1. Fiber cables and trays are shown as dotted lines. Cable trays are shown as dashed lines. Cable ducts are shown as solid lines. Cable vaults are shown as circles with a cross. Cable vaults are shown as circles with a cross. Cable vaults are shown as circles with a cross. Cable vaults are shown as circles with a cross.
 2. Contractor shall verify all dimensions prior to installing fiber cable.
 3. See Sheet H1 for installed fiber cable slack requirements.

PROJECT ENGINEER:
 Steven Berchold

REVISIONS

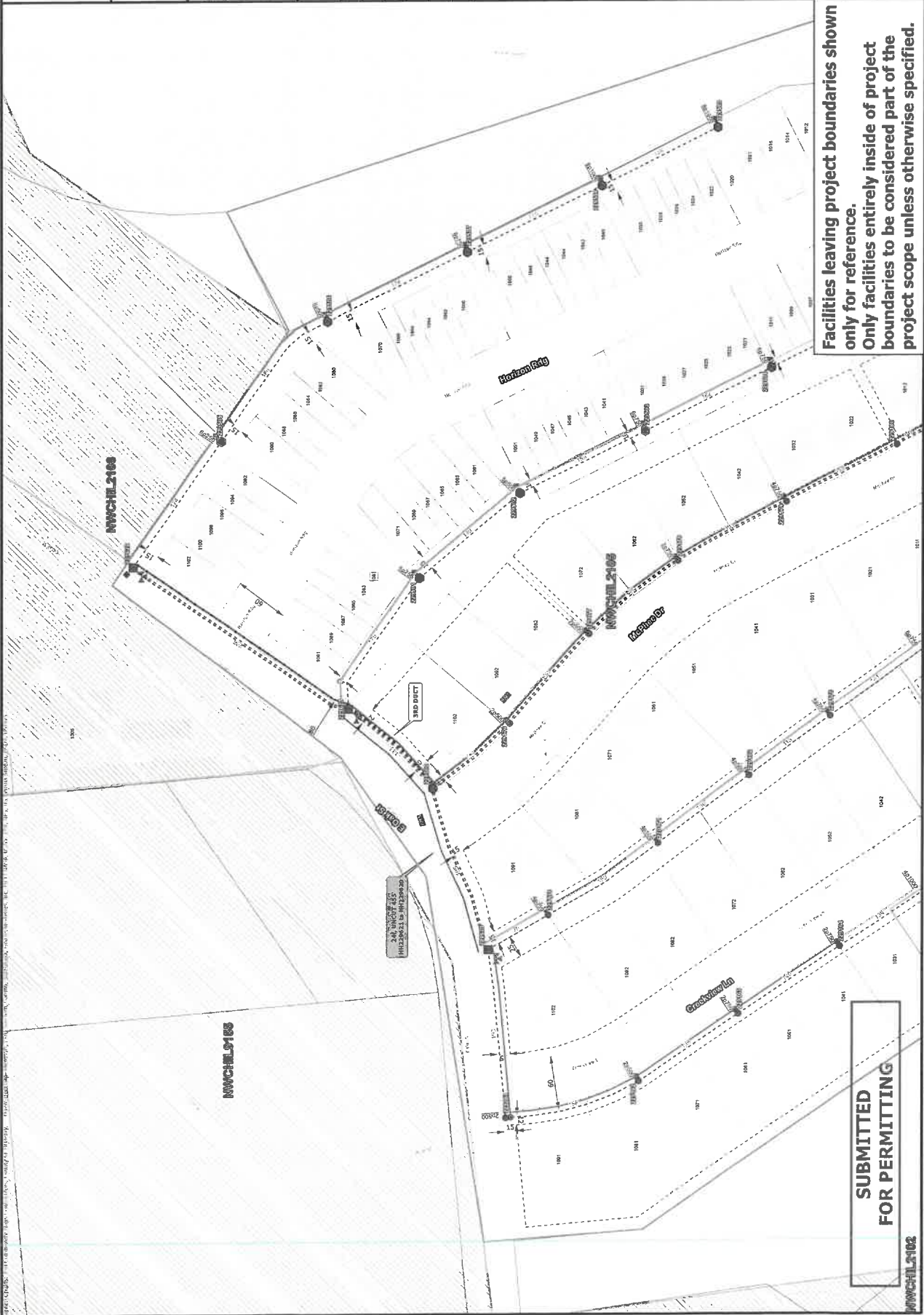
No.	Date	Description
1	/ 24 / No.	
2	/ 24 / No.	
3	/ 24 / No.	
4	/ 24 / No.	

PROPOSED FIBER INSTALLATION PLANS
FIBER INSTALLATION PLAN MAPS
 Printed: 4/16/2025
 Time: 3:32 PM

SECTOR: NWCHIL2105

F1

SHEET:

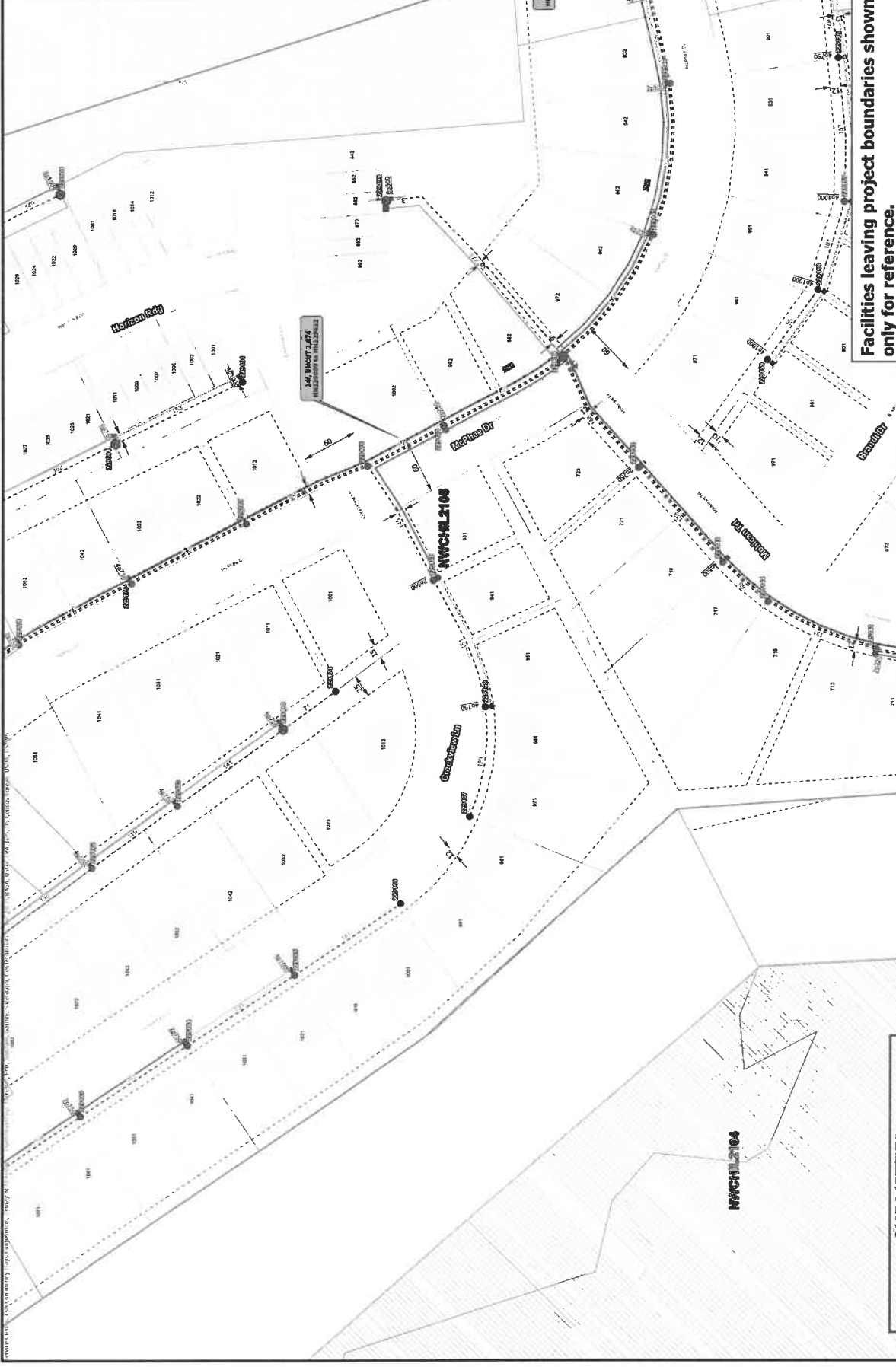


Facilities leaving project boundaries shown only for reference. Only facilities entirely inside of project boundaries to be considered part of the project scope unless otherwise specified.

SUBMITTED FOR PERMITTING

NWCHIL2105

APX PATH: C:\GIS\GISData\Projects\i3Broadband\SectorPlans\Plan3_4_14_2025\NWCHIL2105\DWG_1_Template.dwg



Facilities leaving project boundaries shown only for reference. Only facilities entirely inside of project boundaries to be considered part of the project scope unless otherwise specified.

SUBMITTED FOR PERMITTING

PROJECT ENGINEER:	Steven Berthold
REVISIONS	
/ 24 No. _____	
/ 24 No. _____	
/ 24 No. _____	
/ 24 No. _____	
/ 24 No. _____	



**Facilities leaving project boundaries shown only for reference.
 Only facilities entirely inside of project boundaries to be considered part of the project scope unless otherwise specified.**

SUBMITTED FOR PERMITTING