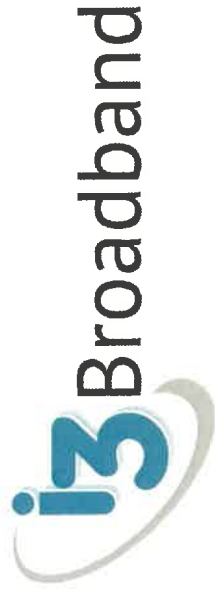


SEE SHEET 2 FOR
INDEX OF SHEETS,
GENERAL NOTES,
AND
COMMITMENTS



Project Description:

Proposed residential network buildout

PLANS FOR PROPOSED FIBER INSTALLATION

Market: NWCHIL
Chassis: NWCHILMXXKC06
Sector: NWCHIL2114
Bore Footage: 22,254'
Passings: 366

Geographic Information

State: Illinois
County: McHenry
City: Lake in the Hills

List of Permitting Authorities:

1. Village of Lake in the Woods
2. McHenry County
- 3.
- 4.
- 5.

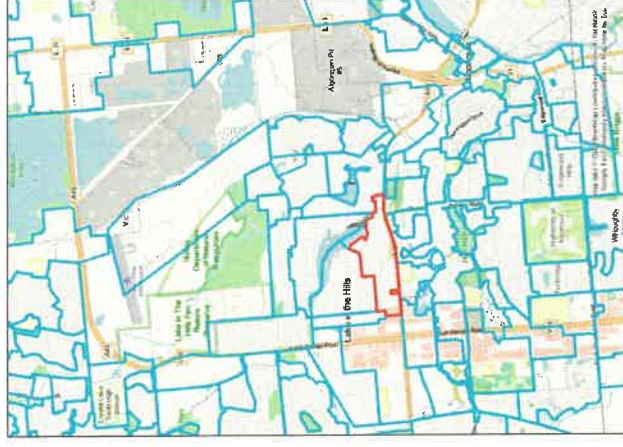
i3Broadband - Engineering Department
PHONE: (309) 670-0400 ext. 400
EMAIL: engineering@i3broadband.com

Project Designer: Troyer Group
Const. Manager: Nemanja Stanojevic
Market Manager: Coty Keoprasa



FOR LOCATING SERVICES
CALL: (800) 892-0123 (IL)
(800) 344-7483 (MO)
or 811 (US)

Printed: 4/1/2025
Time: 1:01 PM



**SUBMITTED
FOR PERMITTING**

C1

INDEX OF SHEETS

CI Cover Sheet
N1 Index, General Notes, and Commitments Sheet
GTL Typical Vault Details Sheet
GTL2 Typical Vault Details Sheet
LI Symbol Reference Legend Sheet
P01 Project Overview Map
D1 - D7 Duct and Vault Installation Maps
P1 - P7 Fiber Installation Maps

SPECIAL PERMITTING COMMITMENTS



RESERVED
FOR SHEET
NORTH ARROW
AND SCALE

PROJECT ENGINEER:
Troyer Group

REVISIONS

/ / 24 | No. _____

/ / 24 | No. _____

/ / 24 | No. _____

/ / 24 | No. _____

/ / 24 | No. _____

/ / 24 | No. _____

PROPOSED FIBER INSTALLATION PLANS

INDEX, GENERAL NOTES, AND COMMENTS

Printed: 4/1/2025
Time: 1:02 PM

SECTOR: NWCHEL2114

N1

GENERAL PLAN NOTES

1. These notes shall be applicable to all operations performed under this contract, except when they conflict with any SPECIAL PERMIT COMMITMENTS (SEE THIS SHEET). In such cases, the notes in that section shall supercede these notes.
2. All care should be taken to mitigate damage to existing utilities. OneCall shall be contacted before any boring or excavation.
3. Note that handholes drawn on the shared lot line can be adjusted to either side of the lot line as necessary, which is standard on i3Broadband prints. Handholes that are shifted to one side of a lot line need to be placed on that side of the lot line, generally to comply with an easement, or to avoid a driveway or large tree.
4. Construction change order requests shall be coordinated with the appropriate i3 Construction Department Representative and CLEARLY DOCUMENTED ON THESE PLANS AS RED-LINED AS-BUILT DRAWINGS.
5. Any damage to adjacent properties caused by construction operations within the work area shall be fully restored to their ORIGINAL CONDITION.
6. Dimensions (approximate, in feet) shown generally indicate total Right-of-Way width, or Utility Easement width relative to nearest lot line. Rights-of-Way and Utility Easements are not necessarily uniform (i.e. not split evenly a cross street centerline or property line). Contact i3 as needed for clarity.
7. SLACK NOTES:
 - All taps are to have 4' of slack at the head, 55' at the splice case, and no slack storage anywhere else.
 - Mainline cable to have 55' at all ends/cut points and 110' at all #3 or larger handholes where cable is uncult.
 - Any other abnormalities will be noted on prints.
8. The CONTRACTOR shall be required to comply with all Federal, State, and Local laws/ordinances, in addition to all i3broadband contract documents.

**SUBMITTED
FOR PERMITTING**

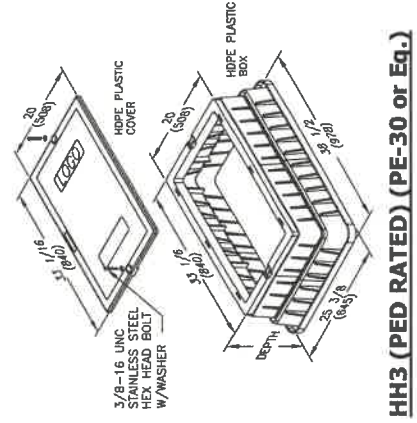
RESERVED
 FOR SHEET
 NORTH ARROW
 AND SCALE

PROJECT ENGINEER:	Troyer Group
REVISIONS	
/ /24 / No.	
/ /24 / No.	
/ /24 / No.	
/ /24 / No.	
/ /24 / No.	

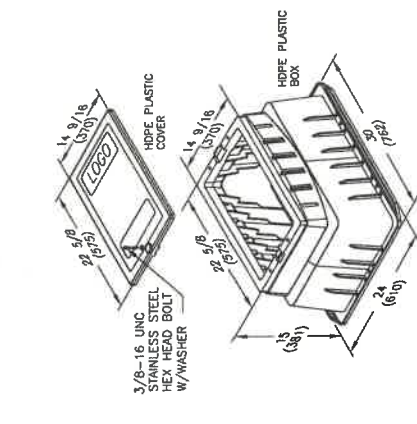
PROPOSED FIBER INSTALLATION PLANS
 INDEX, GENERAL NOTES, AND COMMITMENTS
 Printed: 4/1/2025
 Time: 1:02 PM
 SECTOR: NWCHIL2114

DT1

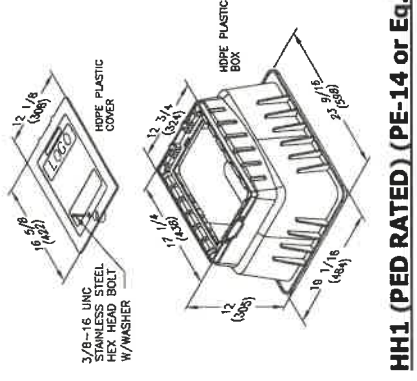
TYPICAL VAULT (HANDHOLE) DETAILS



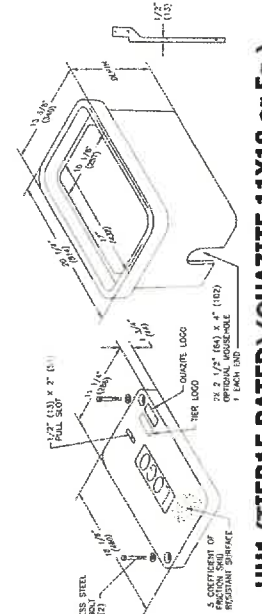
HH3 (PED RATED) (PE-30 or Eq.)



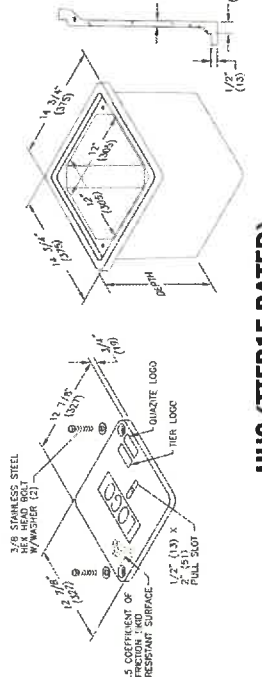
HH2 (PED RATED) (PE-20 or Eq.)



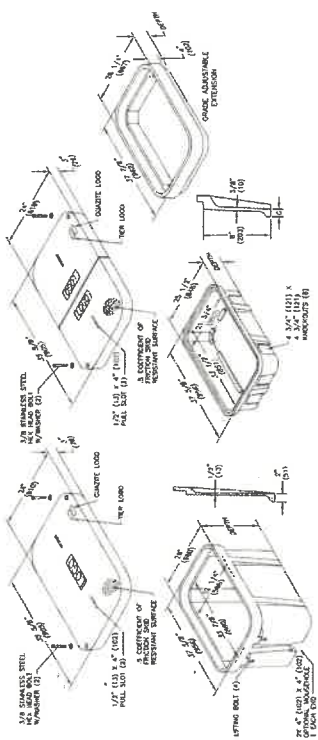
HH1 (PED RATED) (PE-14 or Eq.)



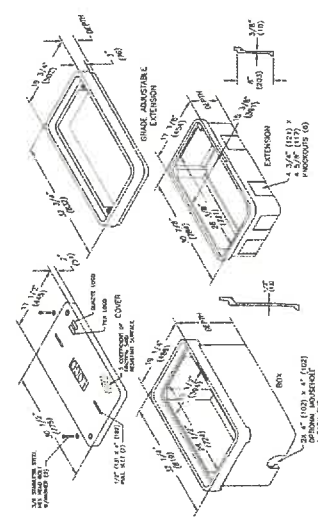
HH1 (TIER15 RATED) (QUAZITE 11X18 or Eq.)



HH0 (TIER15 RATED)



HH6 (TIER15 RATED) (QUAZITE 24X36 or Eq.)



HH3 (TIER15 RATED) (QUAZITE 17X30 or Eq.)

Note:
 Dimensions shown on this sheet represent typical
 configurations based on 13' diameter
 vaults. Other vault sizes and configurations
 are available. Dimensions may vary between vault
 manufacturers.

SUBMITTED
 FOR PERMITTING

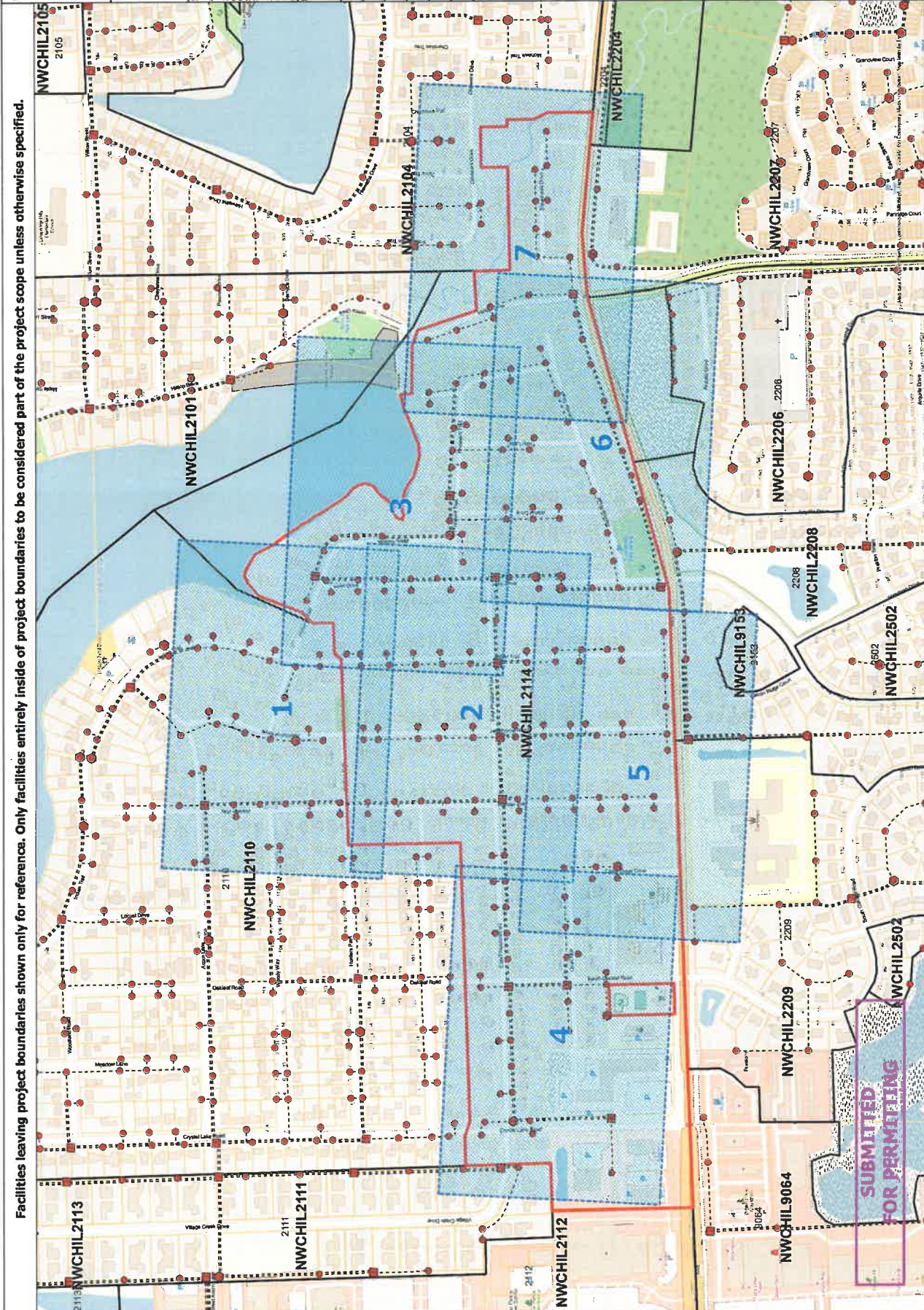


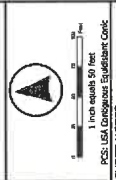
SHEET NOTES:
 1. All fiber is to be installed in trenching and buried in conduit.
 2. Method of conduit installation shall be either directional bore or trenching, UNLESS OTHERWISE NOTED ON THIS SHEET OR SPECIFICATIONS FOR THE SUBMITTALS (See Sheet 01).
 3. Additional conduit locations (other than those shown) shall be determined by the general contractor in consultation with the Project Engineer.

PROJECT ENGINEER:
Troyer Group

REVISIONS	
/	7/24/14 No.
/	7/24/14 No.
/	7/24/14 No.
/	7/24/14 No.
/	7/24/14 No.

PROPOSED FIBER INSTALLATION PLANS
INDEX, GENERAL NOTES, AND COMMENTS
 Printed: 4/1/2015 PM 1:04





PCS: USA (Copyright) Esri/Barb.Corr
 1 inch equals 50 feet
SHEET NOTES:
 1. All proposed new crossing and bore pit details.
 2. Method of crossing installation shall be determined by the contractor. All crossings shall be installed in accordance with the SPECIAL PERMITTING REQUIREMENTS (See Sheet 10).
 3. Additional conduit locations (other than Primary) are shown offset for representation purposes only. All crossings shall be general bore-bath as the Primary Duct.
PROJECT ENGINEER:
 Troyer Group

REVISIONS	
/ /	No.
/ /	No.
/ /	No.
/ /	No.
/ /	No.

PROPOSED FIBER INSTALLATION PLANS
DUCT AND VAULT INSTALLATION MAPS
 Printed: 4/1/2025
 Time: 1:06 PM

SECTOR: NWCHIL2114

D2

Facilities leaving project boundaries shown only for reference. Only facilities entirely inside of project boundaries to be considered part of the project scope unless otherwise specified.



Facilities leaving project boundaries shown only for reference. Only facilities entirely inside of project boundaries to be considered part of the project scope unless otherwise specified.



13 Broadband
 600 High Point Lane
 East Peoria, Illinois
 (309) 670-9400 ext. 400
 broadband@13.com

SHEET NOTES:
 1. PCS: USA Conspicuous Equidistant Contour
 2. All fiber shall be installed in a trench 18" deep and 12" wide for typical road crossing
 3. Method of installation shall be as per Directional Bore or Mole Bore, UNLESS OTHERWISE NOTED ON THE PLANS OR SHEET (N).
 4. All fiber shall be installed in a trench 18" deep and 12" wide for typical road crossing (see Sheet N).
 5. Additional notes (other than primary) are shown ahead for representative purposes only. All other notes are general notes on the primary sheet.
PROJECT ENGINEER:
 Troyer Group

REVISIONS	
/ /	No.
/ /	No.
/ /	No.
/ /	No.
/ /	No.
/ /	No.

PROPOSED FIBER INSTALLATION PLANS
DUCT AND VAULT INSTALLATION MAPS
 Printed: 4/1/2025
 Time: 1:06 PM
 SECTOR: NWCHIL1214

D3

Facilities leaving project boundaries shown only for reference. Only facilities entirely inside of project boundaries to be considered part of the project scope unless otherwise specified.

602 High Point Lane
 10000 Dallas, TX 75248
 (360) 670-0400 ext 400
 i3broadband.com

1 Inch equals 50 Feet
 PCE, USA Coordinate System Cont.

SHEET NOTES:
 1. Refer to the project map for typical road crossing and bore hole details.
 2. Method of conduit installation shall be determined by the contractor. All conduits shall be installed in a trench or trenchless method. UNLESS OTHERWISE SPECIFIED, ALL CONDUITS SHALL BE 1.5" DIA. WITH THE FOLLOWING DIMENSIONS (See Sheet 16).
 3. Additional conduit lengths (other than 100 feet) shall be ordered from the manufacturer. All conduit shall be installed in a trench or trenchless method. UNLESS OTHERWISE SPECIFIED, ALL CONDUITS SHALL BE 1.5" DIA. WITH THE FOLLOWING DIMENSIONS (See Sheet 16).

PROJECT ENGINEER:
 Troyer Group

REVISIONS	
/ /	No.
/ /	No.
/ /	No.
/ /	No.
/ /	No.

PROPOSED FIBER INSTALLATION PLANS
 DUCT AND VAULT INSTALLATION MAPS
 Printed: 4/1/2025
 Time: 1:06 PM

SECTOR: NWCHL2114

D4



Facilities leaving project boundaries shown only for reference. Only facilities entirely inside of project boundaries to be considered part of the project scope unless otherwise specified.

i3 Broadband
 602 High Point Lane
 West Plains, Illinois
 (360) 939-4400 ext. 400
 ibroadband.com

SHEET NOTES:
 1. See Sheet D72 for typical road crossing and pipe at street.
 2. THIS SHEET IS A PART OF THE PROJECT AND SHALL BE REVIEWED IN CONJUNCTION WITH ALL OTHER SHEETS OF THE PLANS OR SPECIFICATIONS. SEE THE PROJECT MANUAL FOR THE LATEST REVISIONS TO THE SPECIFICATIONS (SEE SHEET N1).
 3. Additional road locations (other than primary) are shown for representative purposes only. These are not to be used for general reference as a primary duct.

PROJECT ENGINEER: Troyer Group

REVISIONS	
/ /	No.
/ /	No.
/ /	No.
/ /	No.
/ /	No.

PROPOSED FIBER INSTALLATION MAPS
DUCT AND VAULT INSTALLATION MAPS

Printed: 4/1/2025
 Time: 1:06 PM

SECTOR: NWCHIL2114

D5



SUBMITTED
FOR PERMITTING

1 inch equals 50 feet

 PDS: 054, 055, 056, 057, 058, 059, 060, 061, 062, 063, 064, 065, 066, 067, 068, 069, 070, 071, 072, 073, 074, 075, 076, 077, 078, 079, 080, 081, 082, 083, 084, 085, 086, 087, 088, 089, 090, 091, 092, 093, 094, 095, 096, 097, 098, 099, 100, 101, 102, 103, 104, 105, 106, 107, 108, 109, 110, 111, 112, 113, 114, 115, 116, 117, 118, 119, 120, 121, 122, 123, 124, 125, 126, 127, 128, 129, 130, 131, 132, 133, 134, 135, 136, 137, 138, 139, 140, 141, 142, 143, 144, 145, 146, 147, 148, 149, 150, 151, 152, 153, 154, 155, 156, 157, 158, 159, 160, 161, 162, 163, 164, 165, 166, 167, 168, 169, 170, 171, 172, 173, 174, 175, 176, 177, 178, 179, 180, 181, 182, 183, 184, 185, 186, 187, 188, 189, 190, 191, 192, 193, 194, 195, 196, 197, 198, 199, 200, 201, 202, 203, 204, 205, 206, 207, 208, 209, 210, 211, 212, 213, 214, 215, 216, 217, 218, 219, 220, 221, 222, 223, 224, 225, 226, 227, 228, 229, 230, 231, 232, 233, 234, 235, 236, 237, 238, 239, 240, 241, 242, 243, 244, 245, 246, 247, 248, 249, 250, 251, 252, 253, 254, 255, 256, 257, 258, 259, 260, 261, 262, 263, 264, 265, 266, 267, 268, 269, 270, 271, 272, 273, 274, 275, 276, 277, 278, 279, 280, 281, 282, 283, 284, 285, 286, 287, 288, 289, 290, 291, 292, 293, 294, 295, 296, 297, 298, 299, 300, 301, 302, 303, 304, 305, 306, 307, 308, 309, 310, 311, 312, 313, 314, 315, 316, 317, 318, 319, 320, 321, 322, 323, 324, 325, 326, 327, 328, 329, 330, 331, 332, 333, 334, 335, 336, 337, 338, 339, 340, 341, 342, 343, 344, 345, 346, 347, 348, 349, 350, 351, 352, 353, 354, 355, 356, 357, 358, 359, 360, 361, 362, 363, 364, 365, 366, 367, 368, 369, 370, 371, 372, 373, 374, 375, 376, 377, 378, 379, 380, 381, 382, 383, 384, 385, 386, 387, 388, 389, 390, 391, 392, 393, 394, 395, 396, 397, 398, 399, 400, 401, 402, 403, 404, 405, 406, 407, 408, 409, 410, 411, 412, 413, 414, 415, 416, 417, 418, 419, 420, 421, 422, 423, 424, 425, 426, 427, 428, 429, 430, 431, 432, 433, 434, 435, 436, 437, 438, 439, 440, 441, 442, 443, 444, 445, 446, 447, 448, 449, 450, 451, 452, 453, 454, 455, 456, 457, 458, 459, 460, 461, 462, 463, 464, 465, 466, 467, 468, 469, 470, 471, 472, 473, 474, 475, 476, 477, 478, 479, 480, 481, 482, 483, 484, 485, 486, 487, 488, 489, 490, 491, 492, 493, 494, 495, 496, 497, 498, 499, 500, 501, 502, 503, 504, 505, 506, 507, 508, 509, 510, 511, 512, 513, 514, 515, 516, 517, 518, 519, 520, 521, 522, 523, 524, 525, 526, 527, 528, 529, 530, 531, 532, 533, 534, 535, 536, 537, 538, 539, 540, 541, 542, 543, 544, 545, 546, 547, 548, 549, 550, 551, 552, 553, 554, 555, 556, 557, 558, 559, 560, 561, 562, 563, 564, 565, 566, 567, 568, 569, 570, 571, 572, 573, 574, 575, 576, 577, 578, 579, 580, 581, 582, 583, 584, 585, 586, 587, 588, 589, 590, 591, 592, 593, 594, 595, 596, 597, 598, 599, 600, 601, 602, 603, 604, 605, 606, 607, 608, 609, 610, 611, 612, 613, 614, 615, 616, 617, 618, 619, 620, 621, 622, 623, 624, 625, 626, 627, 628, 629, 630, 631, 632, 633, 634, 635, 636, 637, 638, 639, 640, 641, 642, 643, 644, 645, 646, 647, 648, 649, 650, 651, 652, 653, 654, 655, 656, 657, 658, 659, 660, 661, 662, 663, 664, 665, 666, 667, 668, 669, 670, 671, 672, 673, 674, 675, 676, 677, 678, 679, 680, 681, 682, 683, 684, 685, 686, 687, 688, 689, 690, 691, 692, 693, 694, 695, 696, 697, 698, 699, 700, 701, 702, 703, 704, 705, 706, 707, 708, 709, 710, 711, 712, 713, 714, 715, 716, 717, 718, 719, 720, 721, 722, 723, 724, 725, 726, 727, 728, 729, 730, 731, 732, 733, 734, 735, 736, 737, 738, 739, 740, 741, 742, 743, 744, 745, 746, 747, 748, 749, 750, 751, 752, 753, 754, 755, 756, 757, 758, 759, 760, 761, 762, 763, 764, 765, 766, 767, 768, 769, 770, 771, 772, 773, 774, 775, 776, 777, 778, 779, 780, 781, 782, 783, 784, 785, 786, 787, 788, 789, 790, 791, 792, 793, 794, 795, 796, 797, 798, 799, 800, 801, 802, 803, 804, 805, 806, 807, 808, 809, 810, 811, 812, 813, 814, 815, 816, 817, 818, 819, 820, 821, 822, 823, 824, 825, 826, 827, 828, 829, 830, 831, 832, 833, 834, 835, 836, 837, 838, 839, 840, 841, 842, 843, 844, 845, 846, 847, 848, 849, 850, 851, 852, 853, 854, 855, 856, 857, 858, 859, 860, 861, 862, 863, 864, 865, 866, 867, 868, 869, 870, 871, 872, 873, 874, 875, 876, 877, 878, 879, 880, 881, 882, 883, 884, 885, 886, 887, 888, 889, 890, 891, 892, 893, 894, 895, 896, 897, 898, 899, 900, 901, 902, 903, 904, 905, 906, 907, 908, 909, 910, 911, 912, 913, 914, 915, 916, 917, 918, 919, 920, 921, 922, 923, 924, 925, 926, 927, 928, 929, 930, 931, 932, 933, 934, 935, 936, 937, 938, 939, 940, 941, 942, 943, 944, 945, 946, 947, 948, 949, 950, 951, 952, 953, 954, 955, 956, 957, 958, 959, 960, 961, 962, 963, 964, 965, 966, 967, 968, 969, 970, 971, 972, 973, 974, 975, 976, 977, 978, 979, 980, 981, 982, 983, 984, 985, 986, 987, 988, 989, 990, 991, 992, 993, 994, 995, 996, 997, 998, 999, 1000

SHEET NOTES:

1. Method of conduit installation shall be as shown on drawings. For typical road crossing and bore pit details.
2. Method of conduit installation shall be as shown on drawings. For typical road crossing and bore pit details.
3. Additional conduit locations (other than Primary) are shown on drawings for convenience only. General bore path is the Primary Duct.

SPECIAL PERMITTING COMMITMENTS (See Sheet N1).

PROJECT ENGINEER:
Troyer Group

REVISIONS

No.	Description
1	1 No.
2	1 No.
3	1 No.
4	1 No.
5	1 No.

PROPOSED FIBER INSTALLATION PLANS
DUCT AND VAULT INSTALLATION MAPS
 Printed: 4/1/2025
 Time: 1:06 PM

SECTOR: NWCHIL2114

D6

Facilities leaving project boundaries shown only for reference. Only facilities entirely inside of project boundaries to be considered part of the project scope unless otherwise specified.



SUBMITTER FOR PERMITTING

Facilities leaving project boundaries shown only for reference. Only facilities entirely inside of project boundaries to be considered part of the project scope unless otherwise specified.



i3 Broadband
 602 High Point Lane
 East Peoria, Illinois
 (309) 570-9400 Ext. 400
 ibroadband.com



SHEET NOTES:
 1. See Sheet 0771 for typical road crossing and other details.
 2. All fiber optic cables shall be installed in accordance with the IBCS and shall be installed in accordance with the IBCS. All fiber optic cables shall be installed in accordance with the IBCS. All fiber optic cables shall be installed in accordance with the IBCS.
 3. Additional needed facilities (other than fiber optic cables) are shown for representation only. Additional details shall follow the same format as shown on other sheets.

PROJECT ENGINEER:
 Troyer Group

REVISIONS	No.	Description
1	1	1
2	2	2
3	3	3
4	4	4
5	5	5

PROPOSED FIBER INSTALLATION PLANS
DUCT AND VAULT INSTALLATION MAPS

Printed: 4/1/2025
 Time: 1:06 PM

SECTOR: NWCHIL2114

D7

Facilities leaving project boundaries shown only for reference. Only facilities entirely inside of project boundaries to be considered part of the project scope unless otherwise specified.

13 Broadband
 602 High Park Lane
 East Peoria, Illinois
 (309) 670-0400 ext. 400
 Etbroadband.com

1 inch equals 50 feet
 Scale for typical road crossing
 and bore pit depth

PCS: USA Onclusive Equidistant Cone
SHEET NOTES:
 1. Facilities shown are for reference only and are not to be construed as a guarantee of service.
 2. Method of service installation shall be either Directional Bore or Plastic Bore, UNLESS OTHERWISE NOTED ON THE PLANS OR IN THE SUPPLEMENTAL SHEETS (See Sheet N).
 3. Additional route locations (other than Primary) are shown only for representation and are not to be construed as a guarantee of service. Second bore shall be the Primary Bore.
PROJECT ENGINEER:
 Troyer Group

REVISIONS	
/ /	No. _____
/ /	No. _____
/ /	No. _____
/ /	No. _____
/ /	No. _____

Printed: 4/1/2025
 Time: 2:17 PM

SECTOR: NWCHIL2114
DUCT AND VAULT INSTALLATION MAPS

PROPOSED FIBER INSTALLATION PLANS
F1



Facilities leaving project boundaries shown only for reference. Only facilities entirely inside of project boundaries to be considered part of the project scope unless otherwise specified.

13 Broadband
 603 High Point Lane
 East Point, GA 30641
 (770) 470-0400 ext. 400
 Ebbroadband.com

1 inch equals 50 feet

SHEET NOTES:
 1. Method of conduit installation shall be as per the approved permit. All conduit shall be installed in a trench with a minimum depth of 18 inches. All conduit shall be installed in a trench with a minimum depth of 18 inches. All conduit shall be installed in a trench with a minimum depth of 18 inches.
 2. Method of conduit installation shall be as per the approved permit. All conduit shall be installed in a trench with a minimum depth of 18 inches. All conduit shall be installed in a trench with a minimum depth of 18 inches. All conduit shall be installed in a trench with a minimum depth of 18 inches.
 3. Additional conduit locations (other than those shown) shall be determined by the contractor. All conduit shall be installed in a trench with a minimum depth of 18 inches. All conduit shall be installed in a trench with a minimum depth of 18 inches. All conduit shall be installed in a trench with a minimum depth of 18 inches.

PROJECT ENGINEER:
 Troyer Group

REVISIONS	
/ /	No. /
/ /	No. /
/ /	No. /
/ /	No. /
/ /	No. /

PROPOSED FIBER INSTALLATION MAPS
 Printed: 4/1/2025
 Time: 1:08 PM


DUCT AND VAULT INSTALLATION MAPS
 SECTOR: NWCHIL2114

F3



Facilities leaving project boundaries shown only for reference. Only facilities entirely inside of project boundaries to be considered part of the project scope unless otherwise specified.

i3 Broadband
 602 High Point Lane
 East Peoria, Illinois
 (309) 670-9400 ext. 400
 ibroadband.com

1 inch equals 50 feet


SHEET NOTES:
 1. RISE: USA Geographics; Elevation: Contour
 2. Method of installation shall be as shown on the drawings. All work shall be done in accordance with the applicable codes and standards.
 3. Additional notes (other than primary) are shown offset for representation purposes only. Some notes may be omitted for some projects as shown on the primary duct.
 PROJECT ENGINEER:
 Troyer Group

REVISIONS	No.	Description

PROPOSED FIBER INSTALLATION PLANS
DUCT AND VAULT INSTALLATION MAPS

Printed: 4/1/2025
 Time: 1:08 PM

SECTOR: NWCHIL2114

F4



SUBMITTED FOR PERMITTING

Map data © OpenStreetMap contributors, Microsoft, © Google, © OpenStreetMap contributors, Mapbox © OpenStreetMap contributors, Mapbox © OpenStreetMap contributors



SHEET NOTES:
 1. All facilities are shown for general road crossing and are not to be construed as a final design.
 2. Method of installation to be determined by the contractor. All facilities shall be installed in accordance with the applicable standards and specifications. (SEE SHEET N1).
 3. Additional model locations (other than primary) are shown offset for representation only. All facilities shall be installed in accordance with the applicable standards and specifications. (SEE SHEET N1).
 4. All facilities shall be installed in accordance with the applicable standards and specifications. (SEE SHEET N1).

PROJECT ENGINEER:
 Troyer Group

REVISIONS	
/	/ No.
/	/ No.
/	/ No.
/	/ No.
/	/ No.

PROPOSED FIBER INSTALLATION PLANS
DUCT AND VAULT INSTALLATION MAPS
 Printed: 1:09 PM
 Time: 4/1/2025

SECTOR: NWCHIL2114

F5

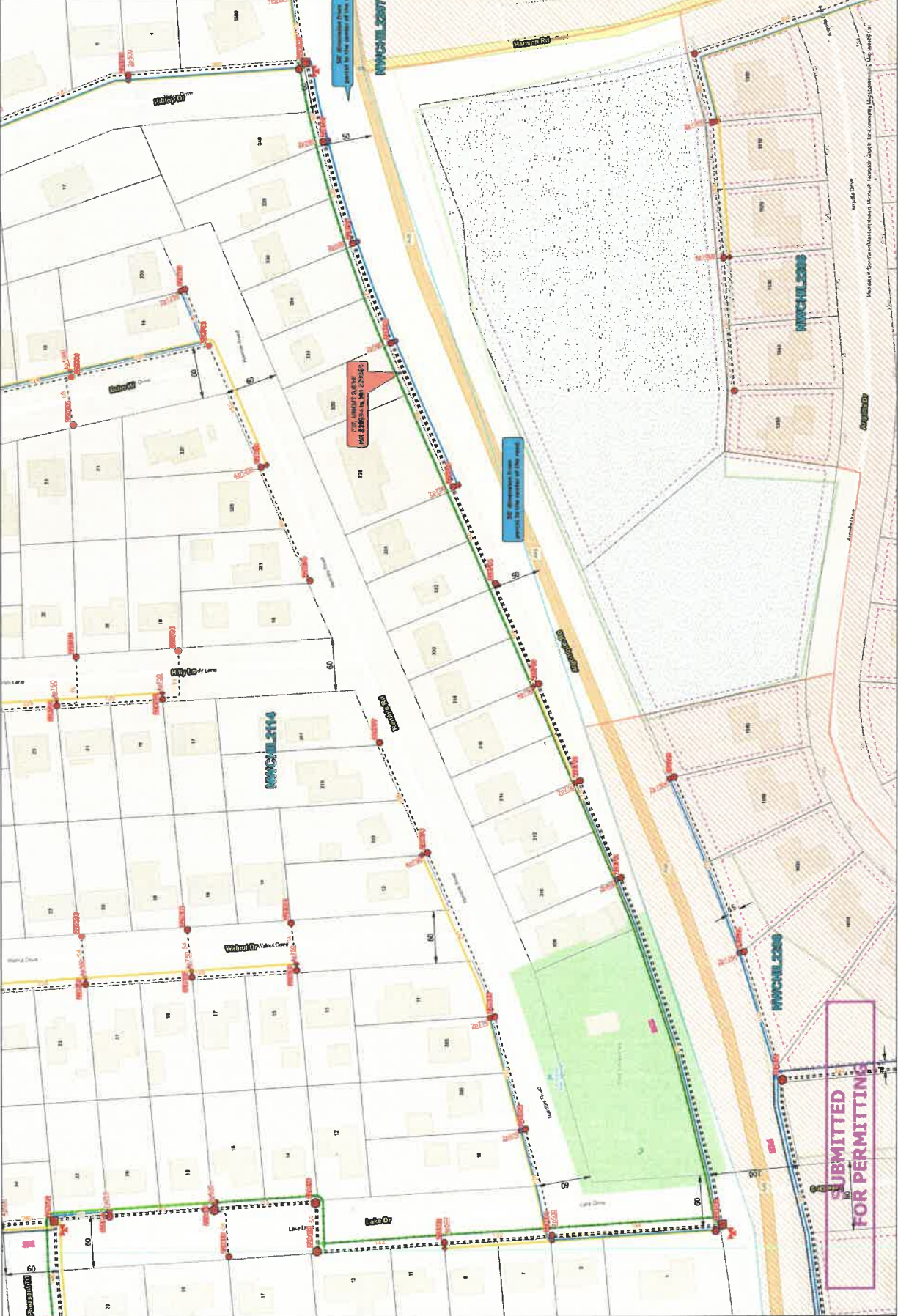
Facilities leaving project boundaries shown only for reference. Only facilities entirely inside of project boundaries to be considered part of the project scope unless otherwise specified.



SUBMITTED FOR PERMITTING

REVISIONS	
1	No.
2	No.
3	No.
4	No.
5	No.

Facilities leaving project boundaries shown only for reference. Only facilities entirely inside of project boundaries to be considered part of the project scope unless otherwise specified.



SUBMITTED FOR PERMITTING

Project Date: 4/1/2025
 Project Name: Fiber Installation Maps
 Project Location: East Peoria, IL

