

SEE SHEET 2 FOR
INDEX OF SHEETS,
GENERAL NOTES,
AND
COMMITMENTS

Project Description:

Proposed residential network buildout

Geographic Information

State: Illinois
County: McHenry
City: Lake in the Hills

List of Permitting Authorities:

1. Village of Lake in the Hills
2. McHenry County
- 3.
- 4.
- 5.

i3Broadband - Engineering Department
PHONE: (309) 670-0400 ext. 400
EMAIL: engineering@i3broadband.com

Project Designer: Troyer Group
Const. Manager: Nemanja Stanojevic
Market Manager: Coty Keoprasa



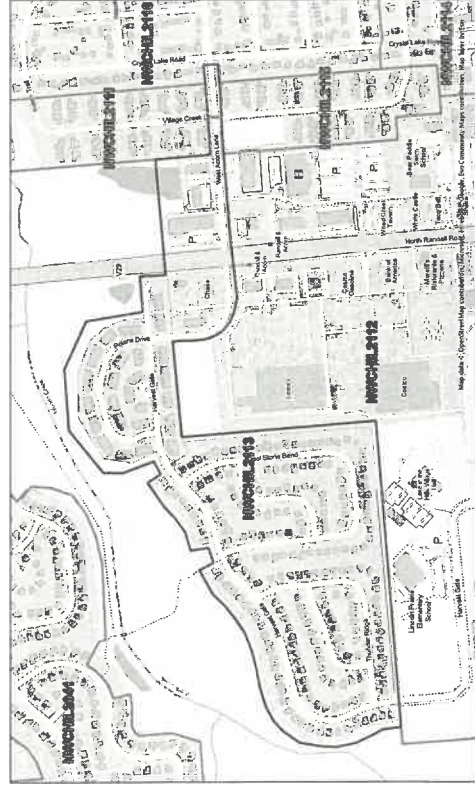
FOR LOCATING SERVICES
CALL: (800) 892-0123 (IL)
(800) 344-7483 (MO)
or 811 (US)

Printed: 6/3/2025
Time: 8:53 AM



PLANS FOR PROPOSED FIBER INSTALLATION

Market: NWCHIL
Chassis: NWCHILMXKC06
Sector: NWCHIL2113
Bore Footage: 16,155'
Passings: 394



**SUBMITTED
FOR PERMITTING**

C1

INDEX OF SHEETS

CI - Cover Sheet
 NI - Index, General Notes, and Commitments Sheet
 NI1 - Typical Vault Details Sheet
 DT1 - Typical Detail Sheet
 DT2 - Typical Detail Sheet
 LI - Symbol Reference Legend Sheet
 PO1 - Project Overview Map
 DI - Duct and Vault Installation Maps
 DI - Duct and Vault Installation Maps
 DI - Fiber Installation Maps
 I001 - Right-of-Way Standards
 701001-02 Off-Road Operations, 2L, 2W, More Than 15ft Away
 701006-03 Off-Road Operations, 2L, 2W, 15ft To 24ft From Pavement Edge
 701901-09 Traffic Control Devices

SPECIAL PERMITTING COMMITMENTS



RESERVED
 FOR SHEET
 NORTH ARROW
 AND SCALE

PROJECT ENGINEER:
 Troyer Group

REVISIONS

	/	/24		No.	
	/	/24		No.	
	/	/24		No.	
	/	/24		No.	
	/	/24		No.	
	/	/24		No.	

PROPOSED FIBER INSTALLATION PLANS	INDEX, GENERAL NOTES, AND COMMITMENTS	Printed: 5/30/2025 Time: 2:11 PM
		SECTOR: NWCHELL2113

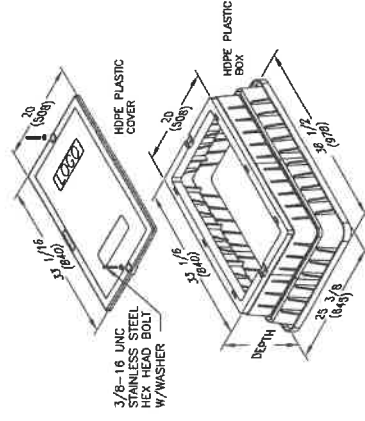
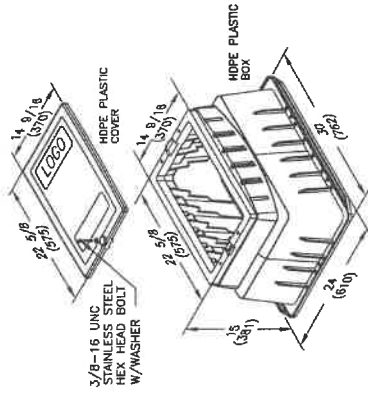
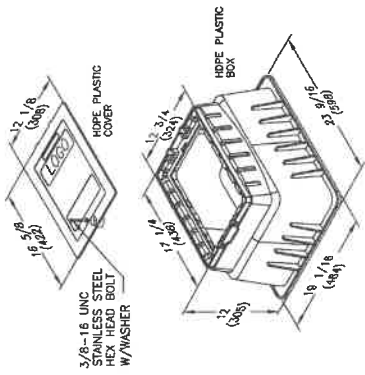
N1

GENERAL PLAN NOTES

- These notes shall be applicable to all operations performed under this contract, except when they conflict with any SPECIAL PERMIT COMMITMENTS (SEE THIS SHEET). In such cases, the notes in that section shall supercede these notes.
- All care should be taken to mitigate damage to existing utilities. OneCall shall be contacted before any boring or excavation.
- Note that handholes drawn on the shared lot line can be adjusted to either side of the lot line as necessary, which is standard on i3Broadband prints. Handholes that are shifted to one side of a lot line need to be placed on that side of the lot line, generally to comply with an easement, or to avoid a driveway or large tree.
- Construction change order requests shall be coordinated with the appropriate i3 Construction Department Representative and CLEARLY DOCUMENTED ON THESE PLANS AS RED-LINED AS-BUILT DRAWINGS.
- Any damage to adjacent properties caused by construction operations within the work area shall be fully restored to their ORIGINAL CONDITION.
- Dimensions (approximate, in feet) shown generally indicate total Right-of-Way width, or Utility Easement width relative to nearest lot line. Rights-of-Way and Utility Easements are not necessarily uniform (i.e. not split evenly a cross street centerline or property line). Contact i3 as needed for clarity.
- SLACK NOTES:
 -All taps are to have 4' of slack at the head, 55' at the splice case, and no slack storage anywhere else.
 -Mainline cable to have 55' at all ends/cut points and 11.0' at all #3 or larger handholes where cable is uncut.
 -Any other abnormalities will be noted on prints.
- The CONTRACTOR shall be required to comply with all Federal, State, and Local laws/ordinances, in addition to all i3Broadband contract documents.

**SUBMITTED
FOR PERMITTING**

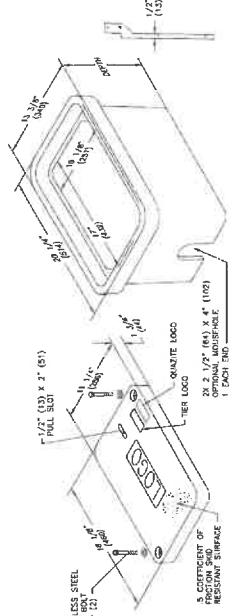
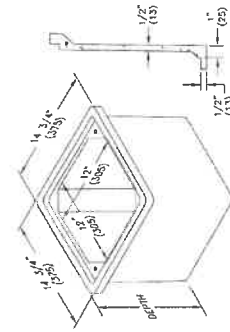
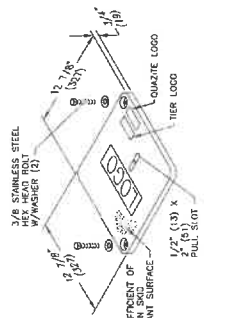
TYPICAL VAULT (HANDHOLE) DETAILS



HH1 (PED RATED) (PE-14 or Eq.)

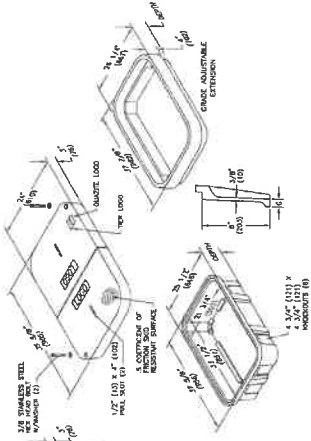
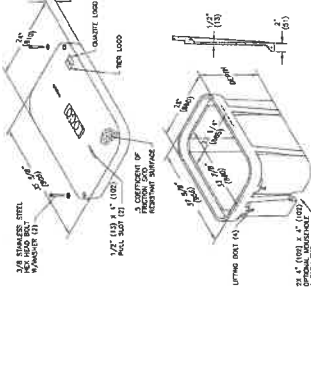
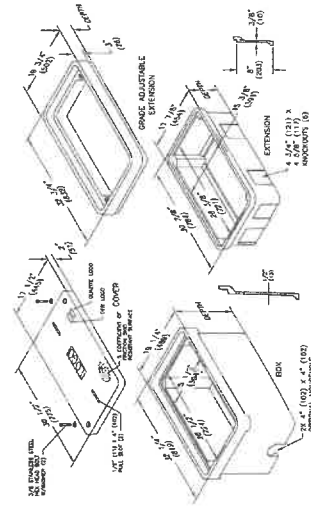
HH2 (PED RATED) (PE-20 or Eq.)

HH3 (PED RATED) (PE-30 or Eq.)



HH0 (TIER15 RATED)

HH1 (TIER15 RATED) (QUAZITE 11X18 or Eq.)



HH3 (TIER15 RATED) (QUAZITE 17X30 or Eq.)

HH6 (TIER15 RATED) (QUAZITE 24X36 or Eq.)

SUBMITTED FOR PERMITTING

FOR SHEET NORTH ARROW AND SCALE

PROJECT ENGINEER:
Troyer Group

REVISIONS

/	724	No.
/	724	No.
/	724	No.
/	724	No.
/	724	No.

PROPOSED FIBER INSTALLATION PLANS
INDEX, GENERAL NOTES, AND COMMENTS

SECTOR: NWCHIL213

Printed: 5/30/2025
Time: 2:05 PM

Note: Please refer to the sheet approved by the professional manufacturer based on I3 Broadband's professional manufacturer specifications. Refer to the manufacturer's website for more information.

DT1

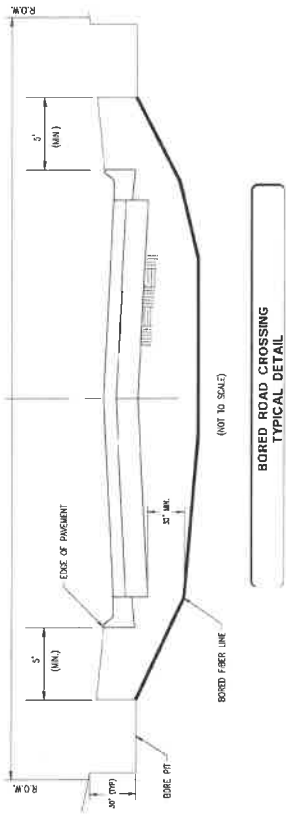
RESERVED
 FOR SHEET
 NORTH ARROW
 AND SCALE

PROJECT ENGINEER:	Troyer Group
REVISIONS	
/ / 24 No. _____	
/ / 24 No. _____	
/ / 24 No. _____	
/ / 24 No. _____	
/ / 24 No. _____	

PROPOSED FIBER INSTALLATION PLANS	INDEX, GENERAL NOTES, AND COMMENTS
SECTOR: NWCHE12113	
Printed: 5/30/2025 Time: 2:05 PM	

DT2

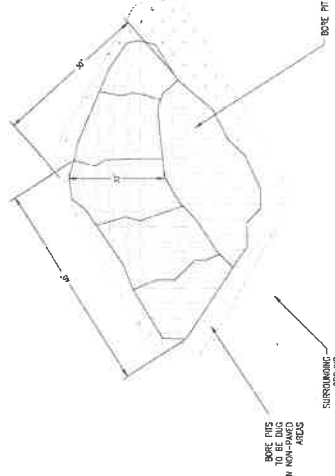
**SUBMITTED
 FOR PERMITTING**



**BORED ROAD CROSSING
 TYPICAL DETAIL**

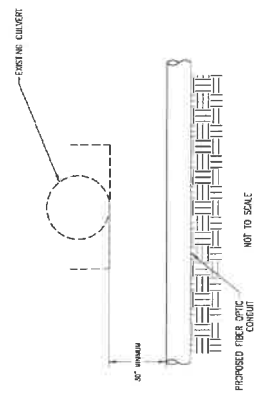
NOTES:
 1. ALL AREAS TO BE COMPLETED SHALL BE MARKED IN ADVANCE OF ANY CONSTRUCTION.
 2. ALL AREAS TO BE COMPLETED SHALL BE MARKED IN ADVANCE OF ANY CONSTRUCTION.
 3. ALL AREAS TO BE COMPLETED SHALL BE MARKED IN ADVANCE OF ANY CONSTRUCTION.
 4. ALL AREAS TO BE COMPLETED SHALL BE MARKED IN ADVANCE OF ANY CONSTRUCTION.

ADDITIONAL NOTES
 1. CONTRACTOR TO APPLY FOR EROSION CONTROL PERMITS TO CITY PRIOR TO CONSTRUCTION.
 2. ALL AREAS DISTURBED BY CONSTRUCTION TO BE REPAIRED IN KIND WITH LIKE MATERIALS.
 3. RESTORATION OF IMPROVED/GRASSY AREAS SHALL BE AS FOLLOWS:
 A. TOPSOIL TO BE REPLACED TO ORIGINAL DEPTH.
 B. TOPSOIL TO BE RESEEDED WITH SEED AND FERTILIZER PER DOT ROAD AND BRIDGE CONSTRUCTION SPECIFICATIONS.
 C. BURNED AREAS TO BE RESEEDED WITH SEED AND FERTILIZER PER DOT ROAD AND BRIDGE CONSTRUCTION SPECIFICATIONS.
 D. BURNED AREAS TO BE RESEEDED WITH SEED AND FERTILIZER PER DOT ROAD AND BRIDGE CONSTRUCTION SPECIFICATIONS.
 4. DISTURBED AREAS SHALL BE REPAIRED TO ORIGINAL CONDITION OR BETTER.
 5. ALL AREAS TO BE COMPLETED SHALL BE MARKED IN ADVANCE OF ANY CONSTRUCTION.
 6. ALL AREAS TO BE COMPLETED SHALL BE MARKED IN ADVANCE OF ANY CONSTRUCTION.
 7. ALL AREAS TO BE COMPLETED SHALL BE MARKED IN ADVANCE OF ANY CONSTRUCTION.
 8. ALL AREAS TO BE COMPLETED SHALL BE MARKED IN ADVANCE OF ANY CONSTRUCTION.

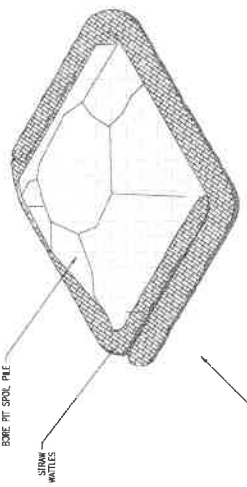


**BORED PIT
 TYPICAL DETAIL**

NOTES:
 1. BORED PITS TO BE 24\"/>



**FIBER OPTIC CONDUIT AND CULVERT SEPARATION
 TYPICAL VERTICAL SEPARATION**



NOTES:
 1. INSTALLATION TO BE COMPLETED IN ACCORDANCE WITH MANUFACTURER'S SPECIFICATIONS.
 2. FIBER OPTIC PILES SHOULD BE INSPECTED AFTER EVERY SIGNIFICANT STORM EVENT TO CLEAN AND UNBLOCK OR SEDIMENT AND DEBRIS.

**EROSION & SEDIMENT CONTROL
 BORED PIT SPOIL PILE**

**EROSION & SEDIMENT CONTROL
 BORED PIT SPOIL PILE**

SYMBOL REFERENCE LEGEND

CONSTRUCTION

- Duct/Conduit**
- Primary
 - Secondary
 - Third Order
 - Fourth Order
 - In Building
- Shelters**
- Shelters

- Internal Taps**
- 2 Ports
 - 4 Ports
 - 6 Ports
 - 8 Ports
 - 12 Ports
- Vaults/Handholes**
- Pedestrian Rated**
- Unknown Size (Pedestrian)
 - HH 1 (2x12 or eq.)
 - HH 1 (PE-14 or eq.)
 - HH 2 (PE-20 or eq.)
 - HH 3 (PE-30 or eq.)
 - HH 6 (2x5 or eq.)
- Tier 15 Rated**
- Unknown Size (Tier Rated)
 - HH 1 (2x12 or eq.)
 - HH 1 (PE-14 or eq.)
 - HH 2 (PE-20 or eq.)
 - HH 3 (PE-30 or eq.)
 - HH 6 (2x5 or eq.)

- Additional Cable Slack**
- Additional Cable Slack
- Taps**
- 2 Pins
 - 4 Pins
 - 6 Pins
 - 8 Pins
 - 12 Pins
- Unknown/Other**
- Unknown Type/Size (0 Owned, See Notes)

- Building Terminations (OFDCs)**
- Building Terminations (OFDC)
- Cable Terminations**
- Cable Terminations
- Duct Terminations**
- Buried Encase
 - Subbed Above Ground (BAG, Termination)
 - Wall Box
 - Other/Unknown

INSTALLED

- Duct/Conduit**
- Primary
 - Secondary
 - Third Order
 - Fourth Order
 - In Building
- Shelters**
- Shelters

- Internal Taps**
- 2 Ports
 - 4 Ports
 - 6 Ports
 - 8 Ports
 - 12 Ports
- Vaults/Handholes**
- Pedestrian Rated**
- Unknown Size (Pedestrian)
 - HH 1 (2x12 or eq.)
 - HH 1 (PE-14 or eq.)
 - HH 2 (PE-20 or eq.)
 - HH 3 (PE-30 or eq.)
 - HH 6 (2x5 or eq.)
- Tier 15 Rated**
- Unknown Size (Tier Rated)
 - HH 1 (2x12 or eq.)
 - HH 1 (PE-14 or eq.)
 - HH 2 (PE-20 or eq.)
 - HH 3 (PE-30 or eq.)
 - HH 6 (2x5 or eq.)

- Additional Cable Slack**
- Additional Cable Slack
- Taps**
- 2 Pins
 - 4 Pins
 - 6 Pins
 - 8 Pins
 - 12 Pins
- Unknown/Other**
- Unknown Type/Size (0 Owned, See Notes)

- Building Terminations (OFDCs)**
- Building Terminations (OFDC)
- Cable Terminations**
- Cable Terminations
- Duct Terminations**
- Buried Encase
 - Subbed Above Ground (BAG, Termination)
 - Wall Box
 - Other/Unknown

MISC.

- Utility Easement**
- Utility Easement
- Parcels**
- Parcel
- Sector Boundaries**
- Cover & Index Map (Project)
 - Index Map (Map)

- PROJECT ENGINEER:**
- Project Sector
 - Non Project Sectors
- Drop Arrows**
- Drop Arrow (Table)
- Index Sheet Borders**
- Project Sheet Boundaries

- Duct/Conduit**
- Primary
 - Secondary
 - Third Order
 - Fourth Order
 - In Building
 - Other (See Notes)

SUBMITTED FOR PERMITTING

SHEET NOTES:
 1. All facilities are for typical road crossing and are per plan.
 2. Method of install/termination shall be above ground/bury or below ground, unless otherwise noted on the plans or in the notes.
 3. Additional details located on other sheets are shown for representative purposes only. General description is shown on general description as the primary task.

PROJECT ENGINEER:
 Troyer Group

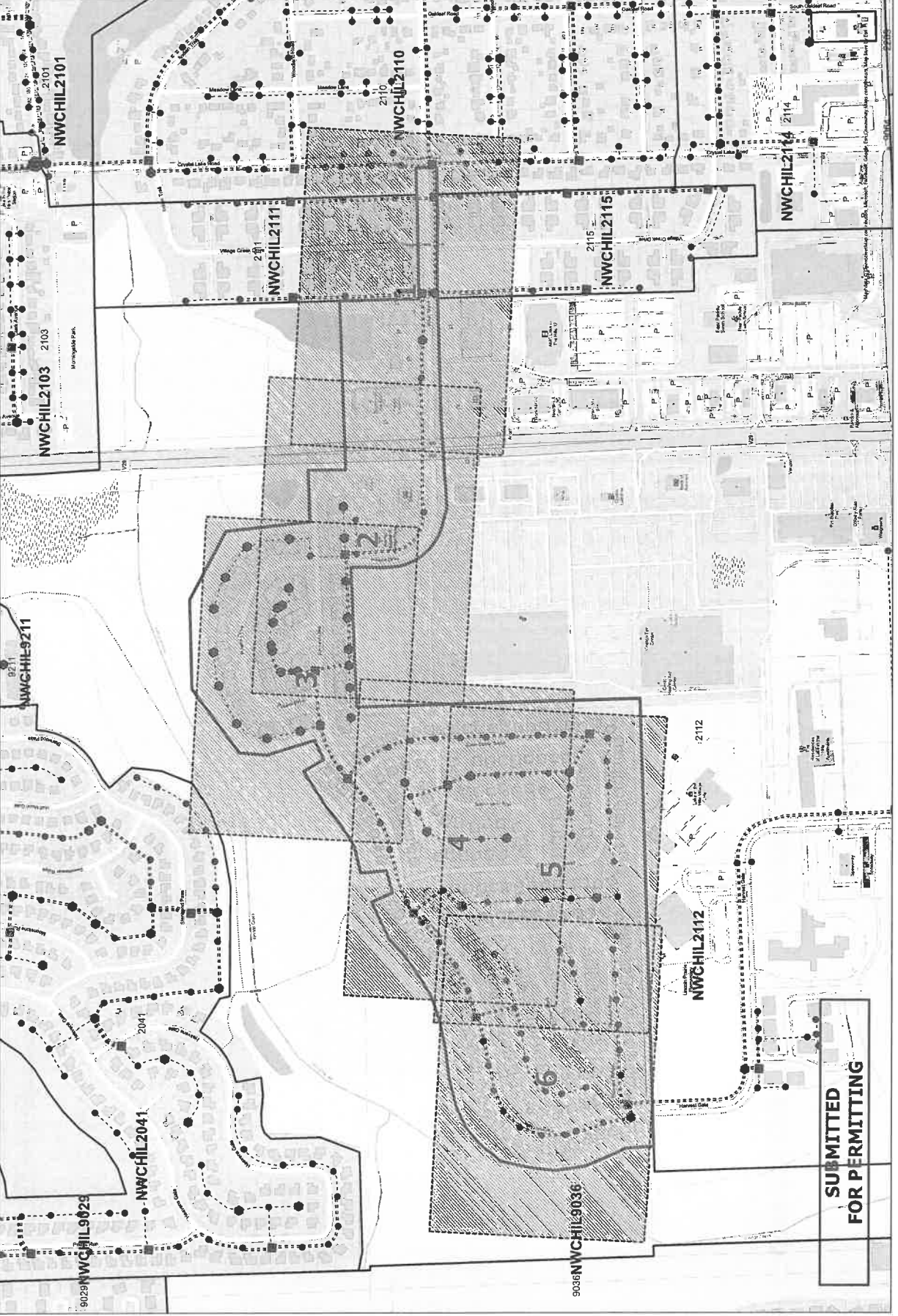
REVISIONS	
/	/ 24 No.
/	/ 24 No.
/	/ 24 No.
/	/ 24 No.
/	/ 24 No.

PROPOSED FIBER INSTALLATION PLANS
INDEX, GENERAL NOTES, AND COMMENTS
 Printed: 5/30/2025
 Time: 2:08 PM

SECTOR: NWCHIL213

PO1

Facilities leaving project boundaries shown only for reference. Only facilities entirely inside of project boundaries to be considered part of the project scope unless otherwise specified.



SUBMITTED FOR PERMITTING



SHEET NOTES:
 PCS USA, Composite Equipment Cont.
 1. See sheet D72 for typical lead crossing
 and see for details.
 2. Method of conduit installation shall be
 as shown on the drawings UNLESS
 OTHERWISE NOTED ON THE PLANS OR
 IN THE PERMITTING COMMITMENTS (see
 sheet D13).
 3. Additional work & facilities (other than
 primary) are shown for information
 only. Additional work shall follow the same
 primary route.

PROJECT ENGINEER:
 Troyer Group

REVISIONS	
/	/ I No. _____
/	/ I No. _____
/	/ I No. _____
/	/ I No. _____
/	/ I No. _____

PROPOSED FIBER INSTALLATION PLANS

Printed: 6/3/2025
 Time: 9:24 AM

SECTOR: NWCHIL213

D3

Facilities leaving project boundaries shown only for reference. Only facilities entirely inside of project boundaries to be considered part of the project scope unless otherwise specified.





SHEET NOTES:
 1. Work in accordance with the applicable codes.
 2. All work shall be in accordance with the applicable codes.
 3. Material of conduit backfills shall be subject to approval by the local health department.
 4. All work shall be in accordance with the applicable codes.
 5. Additional conduit locations (other than those shown) shall be determined by the engineer.
 6. All work shall be in accordance with the applicable codes.

PROJECT ENGINEER:
 Troyer Group

REVISIONS	
/ /	No.
/ /	No.
/ /	No.
/ /	No.
/ /	No.

Printed: 6/3/2025
Time: 9:25 AM

SECTOR: NWCHIL2113
DUCT AND VAULT INSTALLATION MAPS

PROPOSED FIBER INSTALLATION PLANS
D4

Facilities leaving project boundaries shown only for reference. Only facilities entirely inside of project boundaries to be considered part of the project scope unless otherwise specified.



REVISIONS	
1	NO.
2	NO.
3	NO.
4	NO.
5	NO.
6	NO.
7	NO.
8	NO.
9	NO.
10	NO.

Facilities leaving project boundaries shown only for reference. Only facilities entirely inside of project boundaries to be considered part of the project scope unless otherwise specified.



SUBMITTED FOR PERMITTING

Facilities leaving project boundaries shown only for reference. Only facilities entirely inside of project boundaries to be considered part of the project scope unless otherwise specified.

i3 Broadband
 602 High Point Lane
 Skokie, Illinois
 60077-0000
 847.434.1000
 i3broadband.com



SHEET NOTES:
 1. Refer to applicable installation code.
 2. Material of construction shall be as shown on drawings or as noted on drawings. UNLESS OTHERWISE NOTED, ALL MATERIALS SHALL BE AS SHOWN ON DRAWINGS.
 3. Additional conditions (other than those shown on drawings) shall be as shown on drawings or as noted on drawings. UNLESS OTHERWISE NOTED, ALL MATERIALS SHALL BE AS SHOWN ON DRAWINGS.
 4. All work shall be in accordance with the applicable codes and standards.
 5. All work shall be in accordance with the applicable codes and standards.
 6. All work shall be in accordance with the applicable codes and standards.
 7. All work shall be in accordance with the applicable codes and standards.
 8. All work shall be in accordance with the applicable codes and standards.
 9. All work shall be in accordance with the applicable codes and standards.
 10. All work shall be in accordance with the applicable codes and standards.

PROJECT ENGINEER:
 Troyer Group

REVISIONS	
/ /	No.
/ /	No.
/ /	No.
/ /	No.
/ /	No.
/ /	No.

PROPOSED FIBER INSTALLATION PLANS
DUCT AND VAULT INSTALLATION MAPS

Printed: 6/3/2025
 Time: 9:25 AM

SECTOR: NWCHILL213

D6



SUBMITTED FOR PERMITTING

SHEET NOTES:
 1. Use metric units.
 2. Method of conduit installation shall be as shown on drawings UNLESS OTHERWISE NOTED ON THE PLANS OR SPECIAL PERMITTING COMMITMENTS (See sheet 01).
 3. All work shall be done in accordance with the Project Manual and all other applicable specifications and drawings for the Project.
 4. Additional items shall follow the same standards as those in the Project Manual.

PROJECT ENGINEER:
 Troyer Group

REVISIONS	
/ /	No.
/ /	No.
/ /	No.
/ /	No.
/ /	No.

PROPOSED FIBER INSTALLATION PLANS
DUCT AND VAULT INSTALLATION MAPS

Printed: 6/3/2025 8:57 AM
 SECTOR: NWCHEL213

F1

Facilities leaving project boundaries shown only for reference. Only facilities entirely inside of project boundaries to be considered part of the project scope unless otherwise specified.



SUBMITTED FOR PERMITTING

Facilities leaving project boundaries shown only for reference. Only facilities entirely inside of project boundaries to be considered part of the project scope unless otherwise specified.

i3 Broadband
 602 High Point Lane
 Cary, North Carolina, 27513
 (919) 433-9000 ext. 100
 i3broadband.com



SHEET NOTES:
 1. All work shall be in accordance with the applicable provisions of the 2015 International Building Code and the 2015 International Fire Code.
 2. Check all existing conditions. All facilities shown on this plan are shown for reference only. UNLESS OTHERWISE NOTED ON THE PLANS OR SPECIFICATIONS, THE CONTRACTOR SHALL VERIFY ALL EXISTING CONDITIONS AND REPORT ANY DISCREPANCIES TO THE PROJECT ENGINEER AS THE PROJECT PROGRESSES.
 3. Additional conditions (other than those shown on the plans) shall be reported to the project engineer as the project progresses.
 4. All work shall be in accordance with the applicable provisions of the 2015 International Building Code and the 2015 International Fire Code.
 5. All work shall be in accordance with the applicable provisions of the 2015 International Building Code and the 2015 International Fire Code.

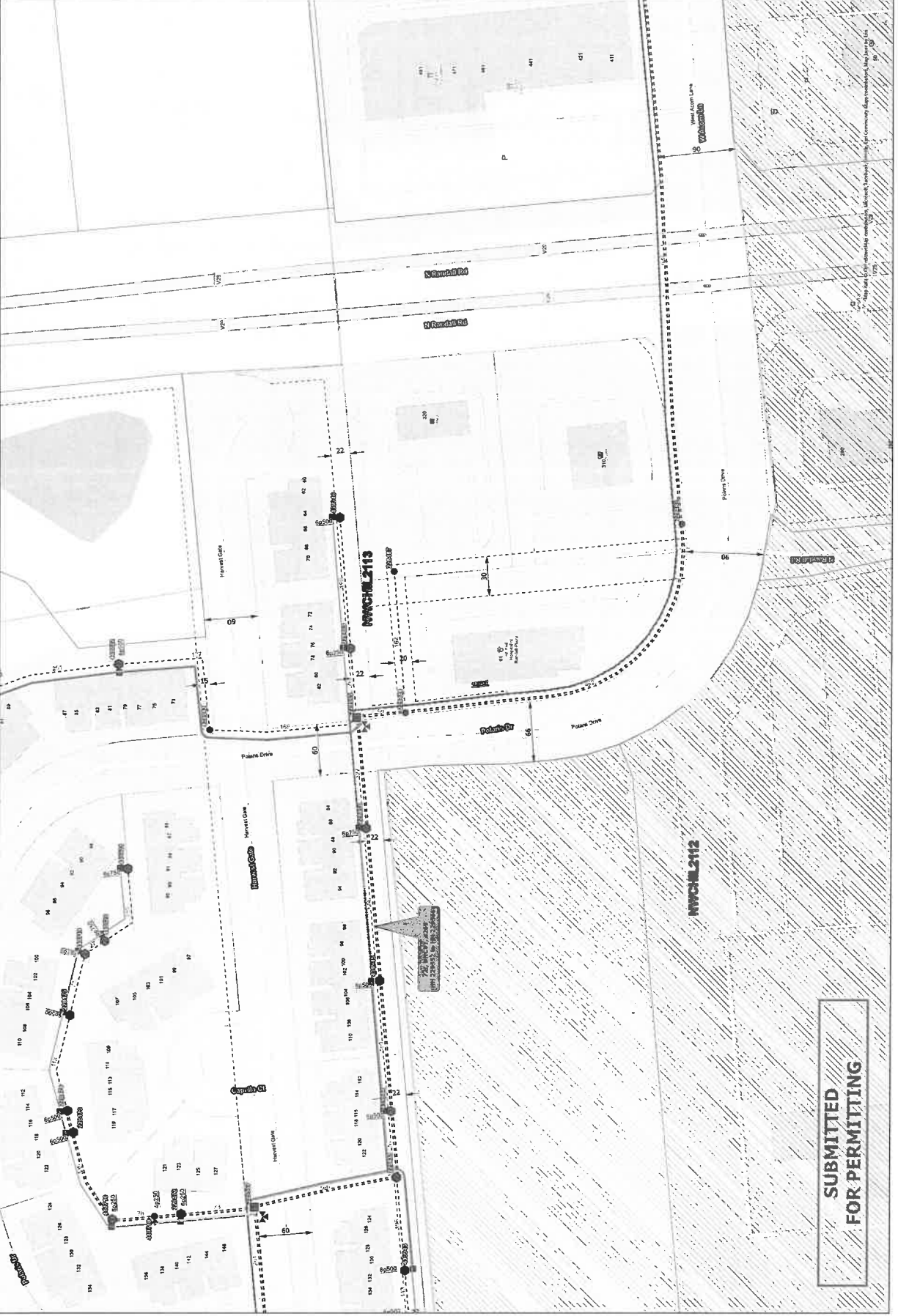
PROJECT ENGINEER:
 Troyer Group

REVISIONS	
/ /	No.
/ /	No.
/ /	No.
/ /	No.
/ /	No.

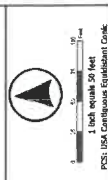
PROPOSED FIBER INSTALLATION PLANS
DUCT AND VAULT INSTALLATION MAPS
 Printed: 6/3/2025
 Time: 8:57 AM

SECTOR: NWCHIL2113

F2



SUBMITTED FOR PERMITTING



SHEET NOTES:
 1. See Sheet 072 for typical road crossing and bore pit details.
 2. Method of conduit installation shall be determined by the contractor. ALL SPECIAL PERMITTING COMMITMENTS (See Sheet 011).
 3. Additional conduit locations (other than those shown) shall be determined by the contractor. Additional ducts shall follow the same general bore-path as the primary duct.

PROJECT ENGINEER:
 Troyer Group

REVISIONS

No.	Description
1	
2	
3	
4	
5	

PROPOSED FIBER INSTALLATION MAPS
 Time: 8:57 AM
 Printed: 6/3/2025

DUCT AND VAULT INSTALLATION MAPS
 SECTOR: NWCHIL213

F3

Facilities leaving project boundaries shown only for reference. Only facilities entirely inside of project boundaries to be considered part of the project scope unless otherwise specified.



SUBMITTED FOR PERMITTING



SHEET NOTES:
 1. Each square 50 feet
 KES: USA Contiguous Equalizer Code
 and for all other typical road roadway
 2. Marked of existing facilities shall be
 above Dimensional Error or Mislabel Error, UNLESS
 OTHERWISE NOTED ON THE PLANS OR
 OTHERWISE NOTED ON THE CONTRACT DOCUMENTS (See
 Sheet 114).
 3. Additional conditional locations (other than
 Primary) are shown for representation
 purposes only. They are not to be shown
 general throughout as the Primary Code.

PROJECT ENGINEER:
 Troyer Group

REVISIONS	No.	Date

PROPOSED FIBER INSTALLATION PLANS
DUCT AND VAULT INSTALLATION MAPS
 Printed: 6/3/2025
 Time: 8:57 AM

SECTOR: NWCH1213

F4

Facilities leaving project boundaries shown only for reference. Only facilities entirely inside of project boundaries to be considered part of the project scope unless otherwise specified.



SUBMITTED FOR PERMITTING

REVISIONS	
/ /	No.
/ /	No.
/ /	No.
/ /	No.
/ /	No.

Facilities leaving project boundaries shown only for reference. Only facilities entirely inside of project boundaries to be considered part of the project scope unless otherwise specified.



NWCILL212
 SUBMITTED FOR PERMITTING

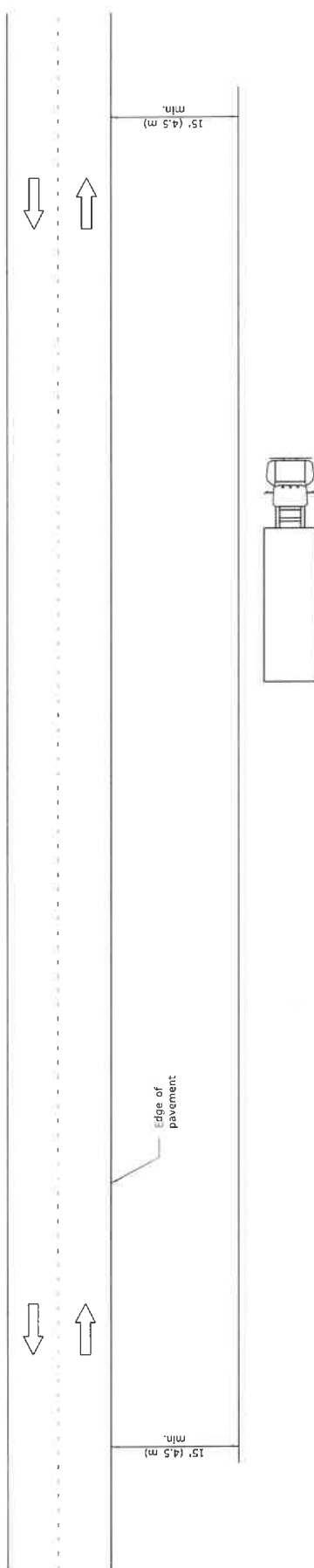
Map data © OpenStreetMap contributors, Microsoft, Garmin, Google, US Community Maps contributors, Mapbox (© 2024)

REVISIONS	
/ /	No.
/ /	No.
/ /	No.
/ /	No.
/ /	No.

Facilities leaving project boundaries shown only for reference. Only facilities entirely inside of project boundaries to be considered part of the project scope unless otherwise specified.



SUBMITTED FOR PERMITTING



TYPICAL APPLICATIONS

- Landscaping work
- Utility work
- Fencing contracts and maintenance
- Cleaning culverts

GENERAL NOTES

This Standard is used where at all times all vehicles, equipment, workers or their activities are more than 15' (4.5 m) from the edge of pavement.

When the work operation requires that two or more work vehicles cross the 15' (4.5 m) clear zone in any one hour, traffic control shall be according to Standard 701006.

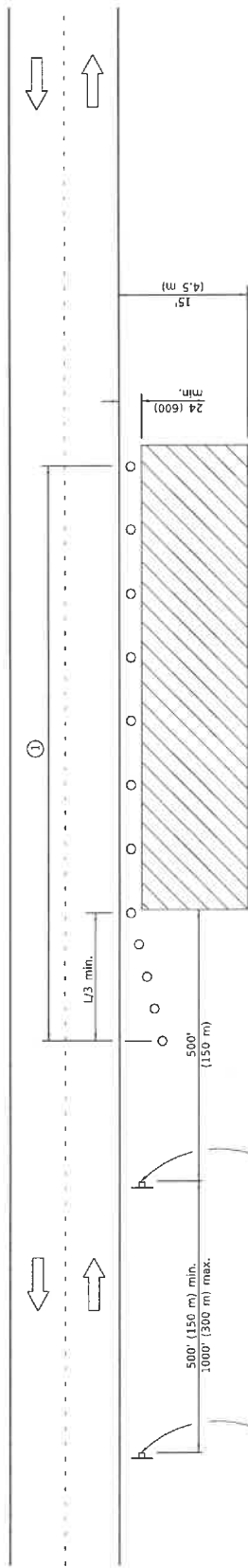
All dimensions are in inches (millimeters) unless otherwise shown.

DATE	REVISIONS
1-1-09	Switched units to English (metric).
1-1-05	Revised title and notes.

**OFF-RD OPERATIONS,
2L, 2W, MORE THAN
15' (4.5 m) AWAY**

STANDARD 701001-02

Illinois Department of Transportation PASSED ENGINEER OF OPERATIONS APPROVED ENGINEER OF DESIGN AND ENVIRONMENT	JANUARY 1, 2009 JANUARY 1, 2009 	ISSUED 1-1-97
---	--	---------------



For contract construction projects

W20-1103(0)-48

For maintenance and utility projects

W20-1101-48

W21-1(0)-48

TYPICAL APPLICATIONS

- Utility operations
- Culvert extensions
- Side slope changes
- Guardrail installation and maintenance
- Delineator installation
- Landscaping operations
- Shoulder repair
- Sign installation and maintenance

SYMBOLS

- Work area
- Sign
- Cone, drum or barricade

GENERAL NOTES

This Standard is used where any vehicles, equipment, workers or their activities will encroach in the area 15' (4.5 m) to 24' (600) from the edge of pavement.

Calculate L as follows:

SPEED LIMIT	FORMULAS	
	English	Metric
40 mph (70 km/h) or less:	$L = WS^2$	$L = WS^2$
45 mph (80 km/h) or greater:	$L = (W/15)S$	$L = 0.65(W/15)S$

W = Width of offset in feet (meters).
 S = Normal posted speed mph (km/h).

All dimensions are in inches (millimeters) unless otherwise shown.

① When the work operation exceeds one hour, cones, drums or barricades shall be placed at 25' (8 m) centers for L/3 distance, and at 50' (15 m) centers through the remainder of the work area.

DATE	REVISIONS
1-1-14	Revised workers sign number to agree with current MUTCD.
1-1-13	Omitted text 'WORKERS' sign.

OFF-ROAD OPERATIONS, 2L, 2W, 15' (4.5 m) TO 24" (600 mm) FROM PAVEMENT EDGE

STANDARD 701006-05

Illinois Department of Transportation

ISSUED 1-1-97

PAUSED JANUARY 2014

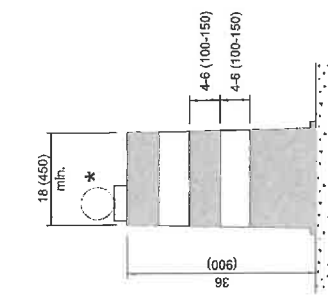
APPROVED *[Signature]* 2014

ENGINEER OF SAFETY ENGINEERING

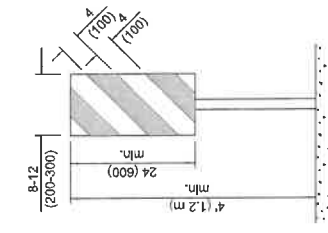
APPROVED *[Signature]* 2014

ILLINOIS

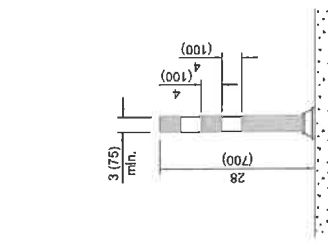
ENGINEER OF DESIGN AND ENVIRONMENT



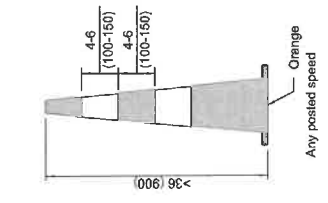
DRUM



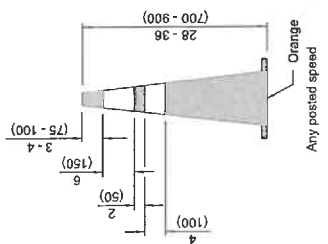
**VERTICAL PANEL
POST MOUNTED**



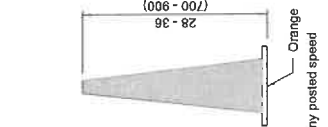
TUBULAR MARKER



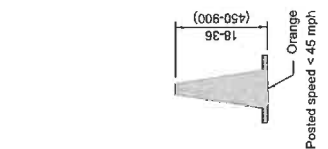
DAY OR NIGHTTIME USE



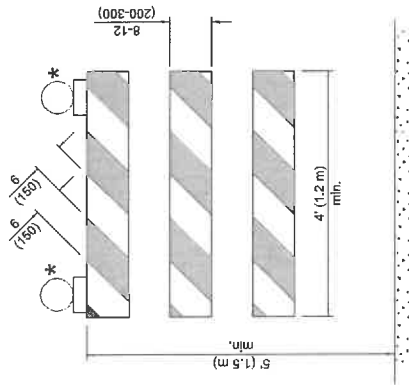
CONES



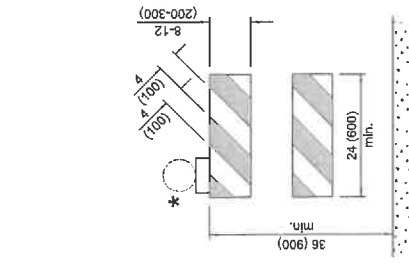
DAYTIME USE



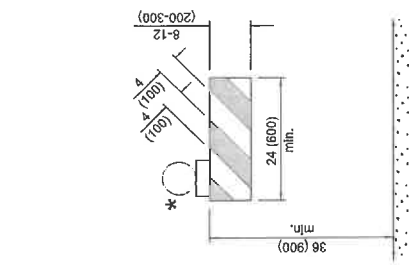
DAYTIME USE



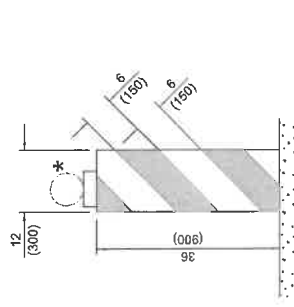
TYPE III BARRICADE



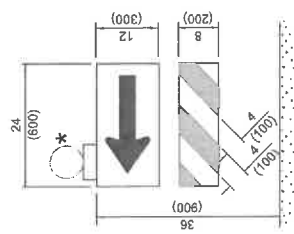
TYPE II BARRICADE



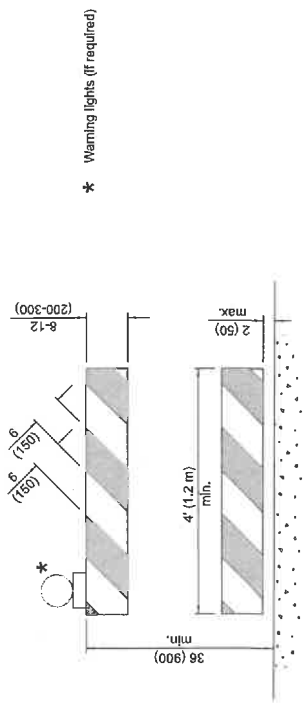
TYPE I BARRICADE



VERTICAL BARRICADE



**DIRECTION INDICATOR
BARRICADE**



**DETECTABLE PEDESTRIAN
CHANNELIZING BARRICADE**

* Warning lights (if required)

GENERAL NOTES

All heights shown shall be measured above the pavement surface.
All dimensions are in inches (millimeters) unless otherwise shown.

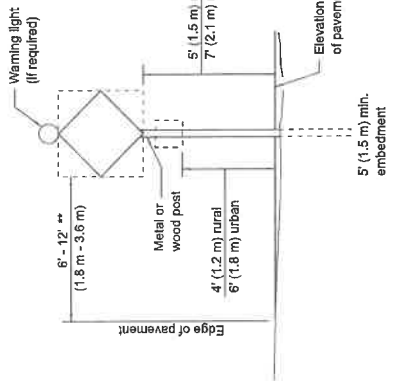
DATE	REVISIONS
1-1-25	Updated Temporary Rumble Strip Detail (sht. 3).
1-1-24	Revised Type III Barricade notes (sht. 3) & moved warning light on post mounted signs to top center.

**TRAFFIC CONTROL
DEVICES**

STANDARD 701901-10

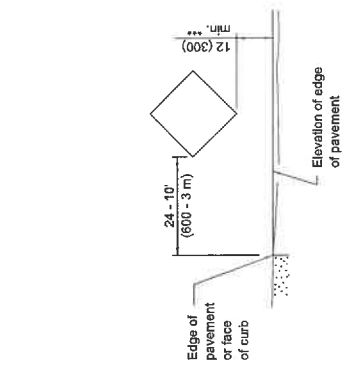
(Sheet 1 of 3)

Illinois Department of Transportation
 APPROVED [Signature] 2025
 ENGINEER OF SAFETY PRACTICE ENGINEERING
 APPROVED [Signature] 2025
 ENGINEER OF DESIGNING EQUIPMENT
 ISSUED 1-1-13



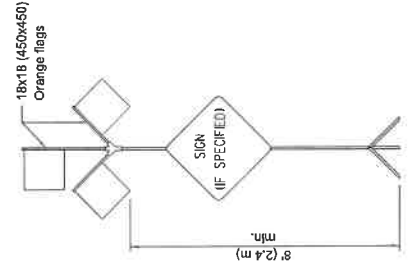
POST MOUNTED SIGNS

** When curb or paved shoulder are present this dimension shall be 24' (600) to the face of curb or 6' (1.5 m) to the outside edge of the paved shoulder.



SIGNS ON TEMPORARY SUPPORTS

*** When work operations exceed four days, this dimension shall be 5' (1.5 m) min. If located behind other devices, the height shall be sufficient to be seen completely above the devices.



HIGH LEVEL WARNING DEVICE

ROAD CONSTRUCTION NEXT X MILES
G20-104(0)-6036

END CONSTRUCTION
G20-105(0)-6024

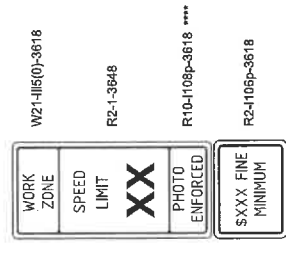
This signing is required for all projects 2 miles (3200 m) or more in length.

ROAD CONSTRUCTION NEXT X MILES sign shall be placed 500' (150 m) in advance of project limits.

END CONSTRUCTION sign shall be erected at the end of the job unless another job is within 2 miles (3200 m).

Dual sign displays shall be utilized on multi-lane highways.

WORK LIMIT SIGNING



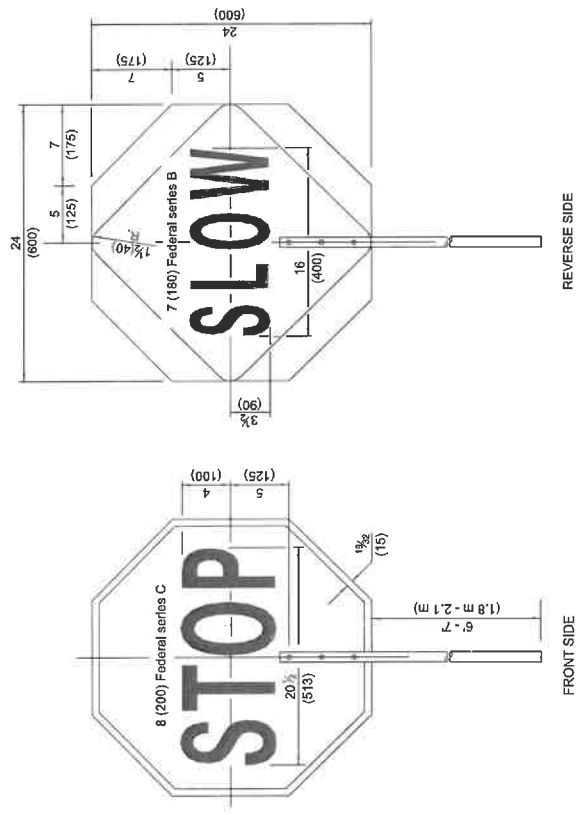
Sign assembly as shown on Standards or as allowed by District Operations.



This sign shall be used when the above sign assembly is used.

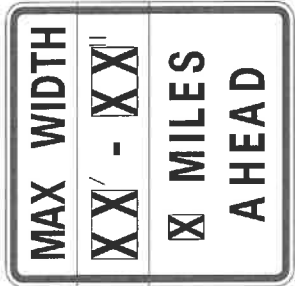
HIGHWAY CONSTRUCTION SPEED ZONE SIGNS

***** R10-1108p shall only be used along roadways under the jurisdiction of the State.



WIDTH RESTRICTION SIGN

XX'-XX" width and X miles are variable.



FRONT SIDE REVERSE SIDE

FLAGGER TRAFFIC CONTROL SIGN

TRAFFIC CONTROL DEVICES

(Sheet 2 of 3)

STANDARD 701901-10

Illinois Department of Transportation

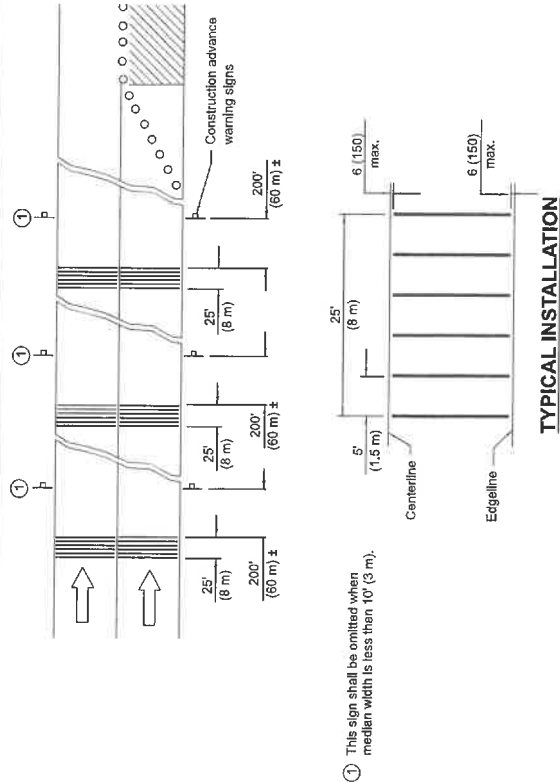
APPROVED January 1, 2025

ENGINEER IN CHARGE

APPROVED January 1, 2025

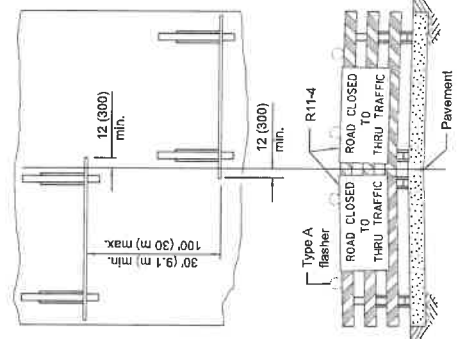
ENGINEER OF DESIGN AND ENVIRONMENT

ISSUED 1-1-13

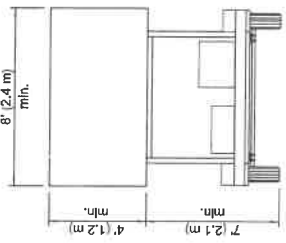


TYPICAL INSTALLATION

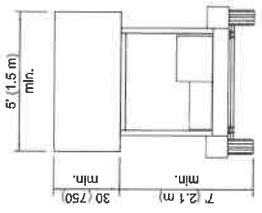
TEMPORARY RUMBLE STRIPS



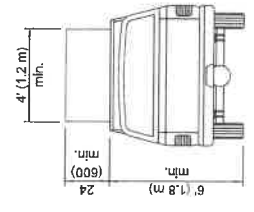
ROAD CLOSED TO THRU TRAFFIC
 Reflectized striping shall appear on both sides of the barricades.



**TYPE C
TRAILER
MOUNTED**

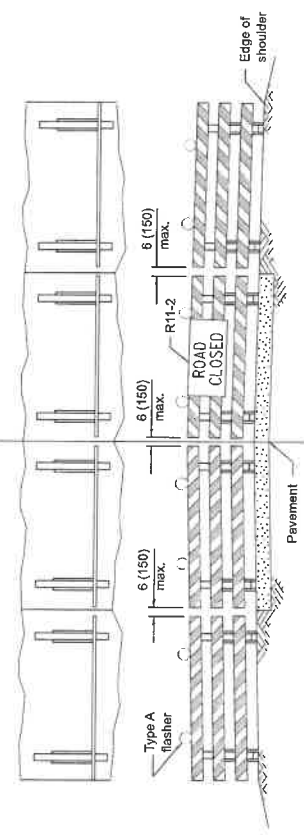


**TYPE B
ROOF OR TRAILER
MOUNTED**



**TYPE A
ROOF
MOUNTED**

ARROW BOARDS



ROAD CLOSED TO ALL TRAFFIC
 Reflectized striping may be omitted on the back side of the barricades.

**TYPICAL APPLICATIONS OF
TYPE III BARRICADES CLOSING A ROAD**

If a Type III barricade with an attached sign panel which meets NCHRP 350 or MASH is not available, the sign may be mounted on an NCHRP 350 or MASH temporary sign support directly in front of the barricade.

Illinois Department of Transportation APPROVED ENGINEER OF SAFETY PROJECTS AND ENGINEERING APPROVED ENGINEER OF DESIGN AND ENVIRONMENT	January 1, 2025 	ISSUED 1-1-13
	January 1, 2025 	

**TRAFFIC CONTROL
DEVICES**

(Sheet 3 of 3)

STANDARD 701901-10

